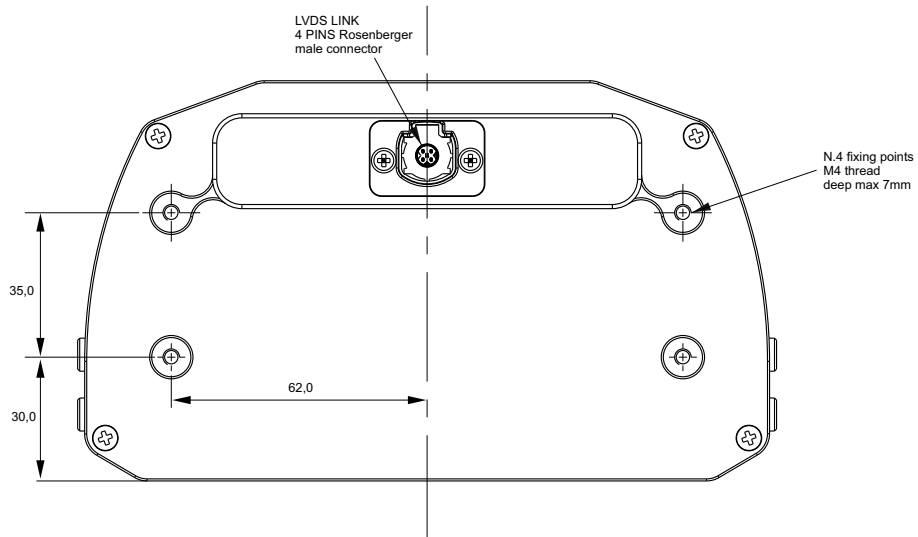
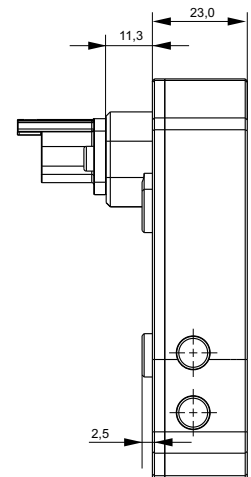
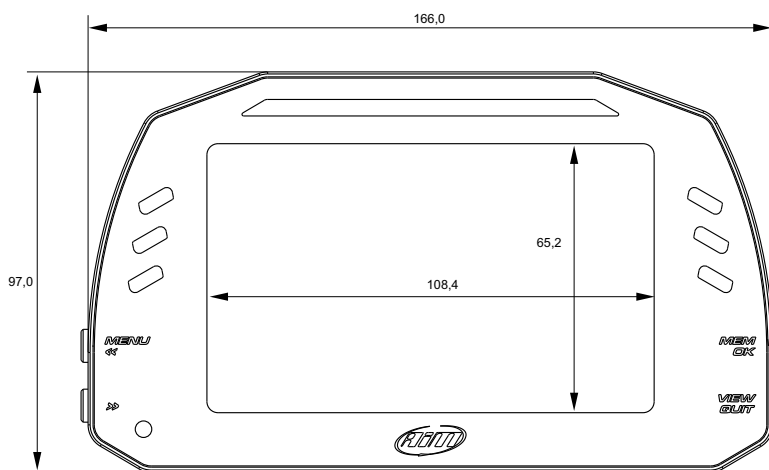




# AiM PDM Dash 5"

TFT Display for PDM modules





# AiM PDM Dash 5"

## TFT Display for PDM modules

### Technical specifications

<b>Display</b>	5" TFT
<b>Resolution</b>	800x480 pixels
<b>Contrast</b>	600:1
<b>Brightness</b>	700cd/m2 - 1,100 Lumen
<b>Ambient light sensor</b>	Yes
<b>Status information LEDs</b>	6
<b>Shift Lights LEDs</b>	10
<b>Body</b>	Anodized Aluminum
<b>Pushbuttons</b>	Metallic
<b>Connectors</b>	LVDS Link 4 Pins Rosenberger male connector
<b>Dimensions</b>	169.4 x 97 x 34.3 mm
<b>Weight</b>	530 g
<b>Power consumption</b>	400 mA
<b>Waterproof</b>	IP65

### Part numbers

<b>XC1D05000</b>	PDM Dash 5"
<b>XC1D05000NI</b>	PDM Dash 5" no icons



# AiM PDM Dash 5"

TFT Display for PDM modules

## Pinout

