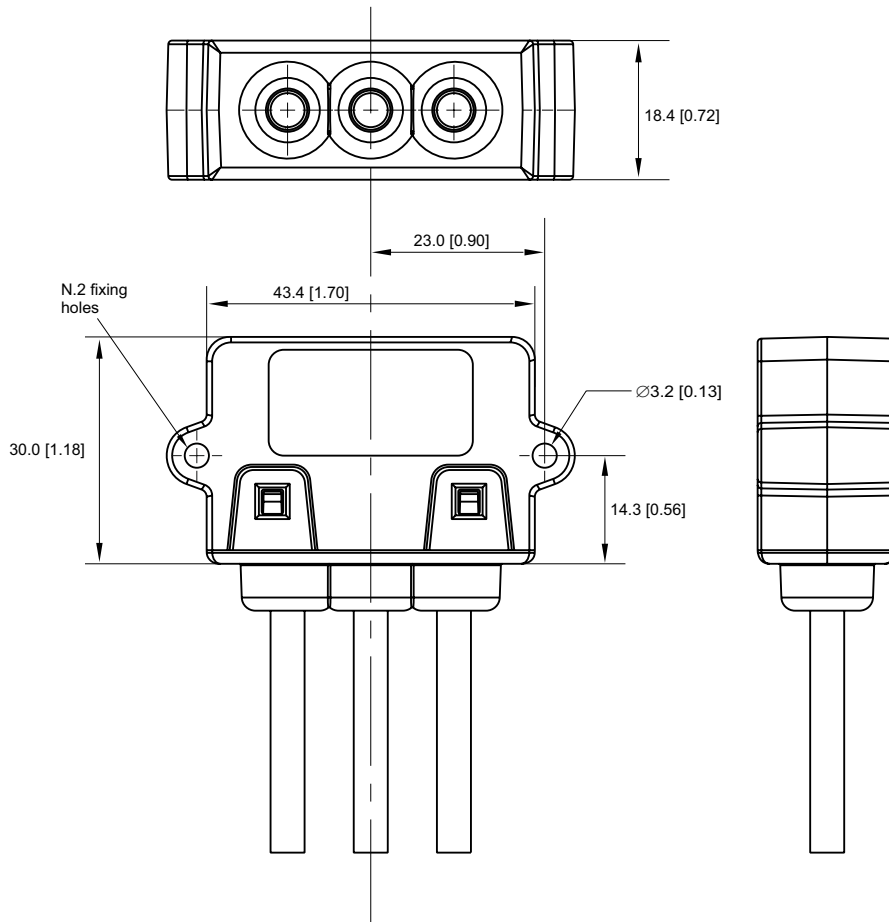




LCU1S

Lambda Controller



Dimensions in mm [inches]



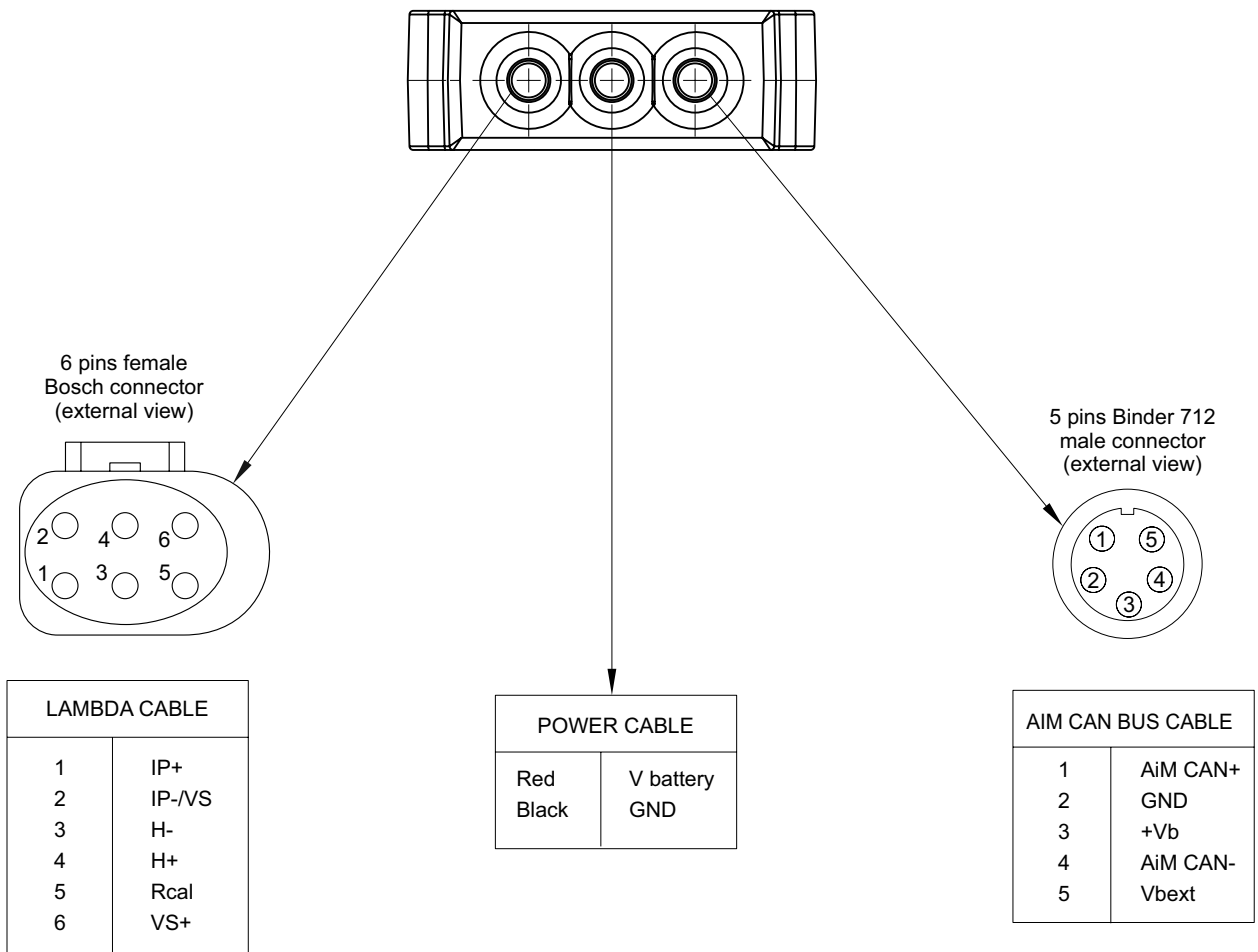
LCU1S

Lambda Controller

Technical specifications

Sensor compatibility	Bosch LSU 4.9
Power supply voltage	9÷15 V
Power supply current	50 mA + sensor heater typical current 750 mA up to 2 A on cold sensor
Reaction time	Less than 10 msec
Material	Latigloss 57
Dimensions	43.4 x 30 x 18.4 mm
Weight	70 g
Waterproof	IP67

Pinout

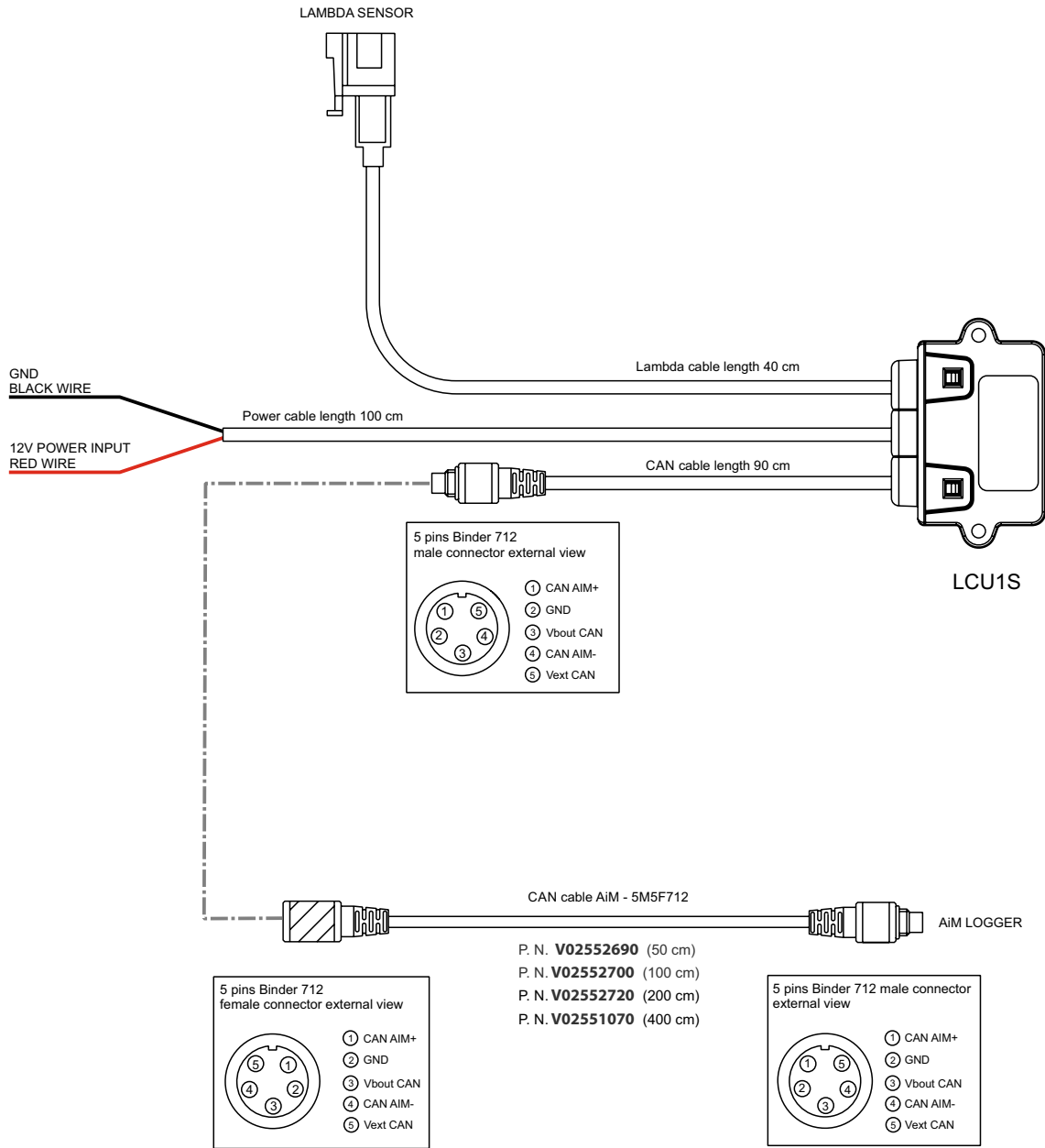




LCU1S

Lambda Controller

Connections



EXTERNAL POWER SUPPLY IS ALWAYS REQUIRED



LCU1S

Lambda Controller

Part numbers

X08LCU1SAC0	LCU1S AiM no Lambda probe
X08LCU1SAC090	LCU1S AiM Exp (includes: LCU1S + BOSCH LSU 4.9 Lambda probe + Thread iron ring for installation)

Accessories/spare parts

X05LSU490	BOSCH LSU 4.9 Lambda probe
LBS552680	Thread iron ring for installation
V02552690	CAN cable AiM - 5M5F712 50 cm
V02552700	CAN cable AiM - 5M5F712 100 cm
V02552720	CAN cable AiM - 5M5F712 200 cm
V02551070	CAN cable AiM - 5M5F712 400 cm