



AiM GPS09c Open and Pro Open

Expansion



GPS09c Open and Pro Open

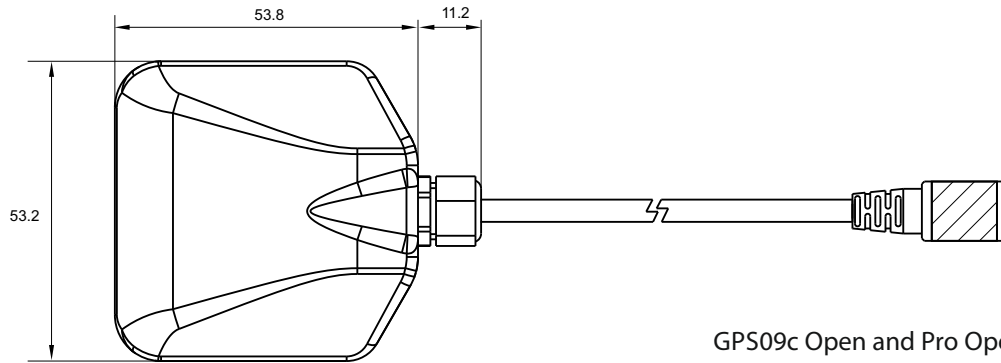
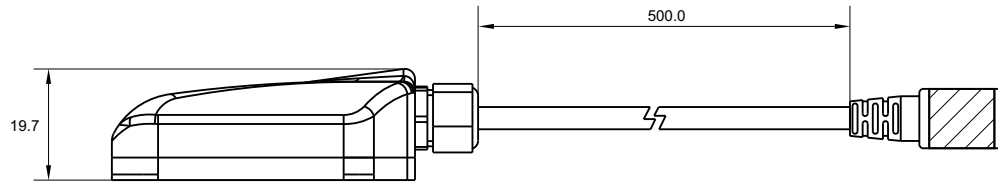


GPS09c Open and Pro Open, Roof version

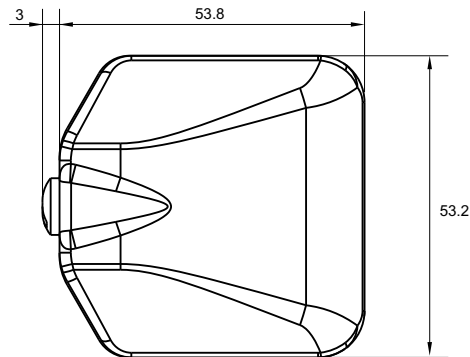
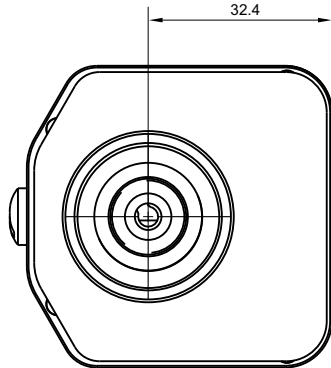


AiM GPS09c Open and Pro Open Expansion

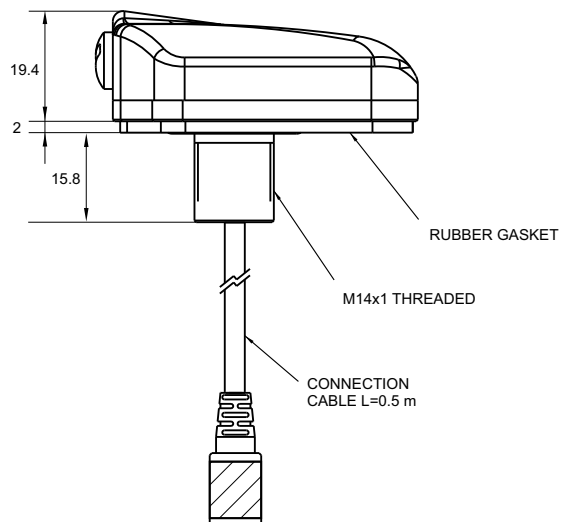
Dimensions



GPS09c Open and Pro Open



GPS09c Open and Pro Open,
Roof version

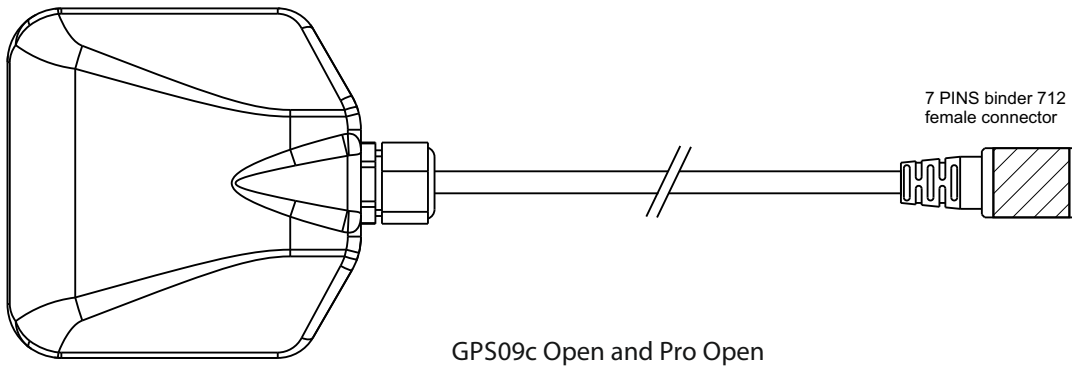


Dimensions in mm

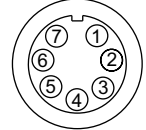


AiM GPS09c Open and Pro Open Expansion

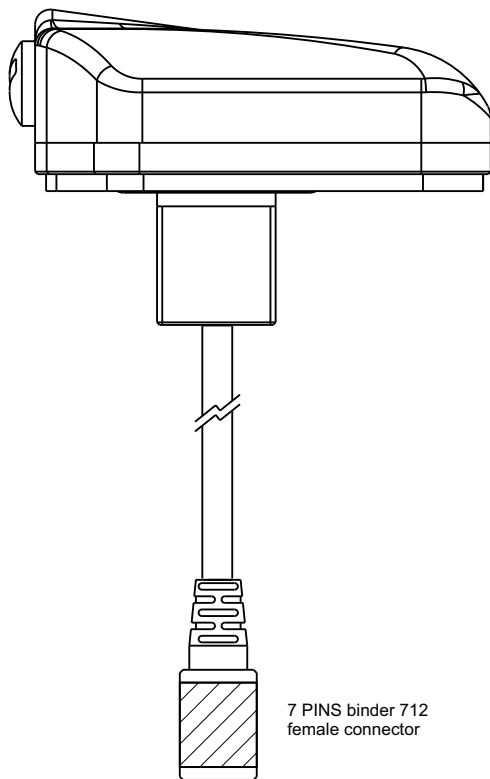
Pinout



7 PINS binder 712 female connector (external view)

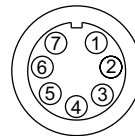


1	USB D+
2	USB D-
3	CAN L
4	CAN H
5	GND
6	RS232 TX
7	+ Vb



GPS09c Open and Pro Open, Roof version

7 PINS binder 712 female connector (external view)

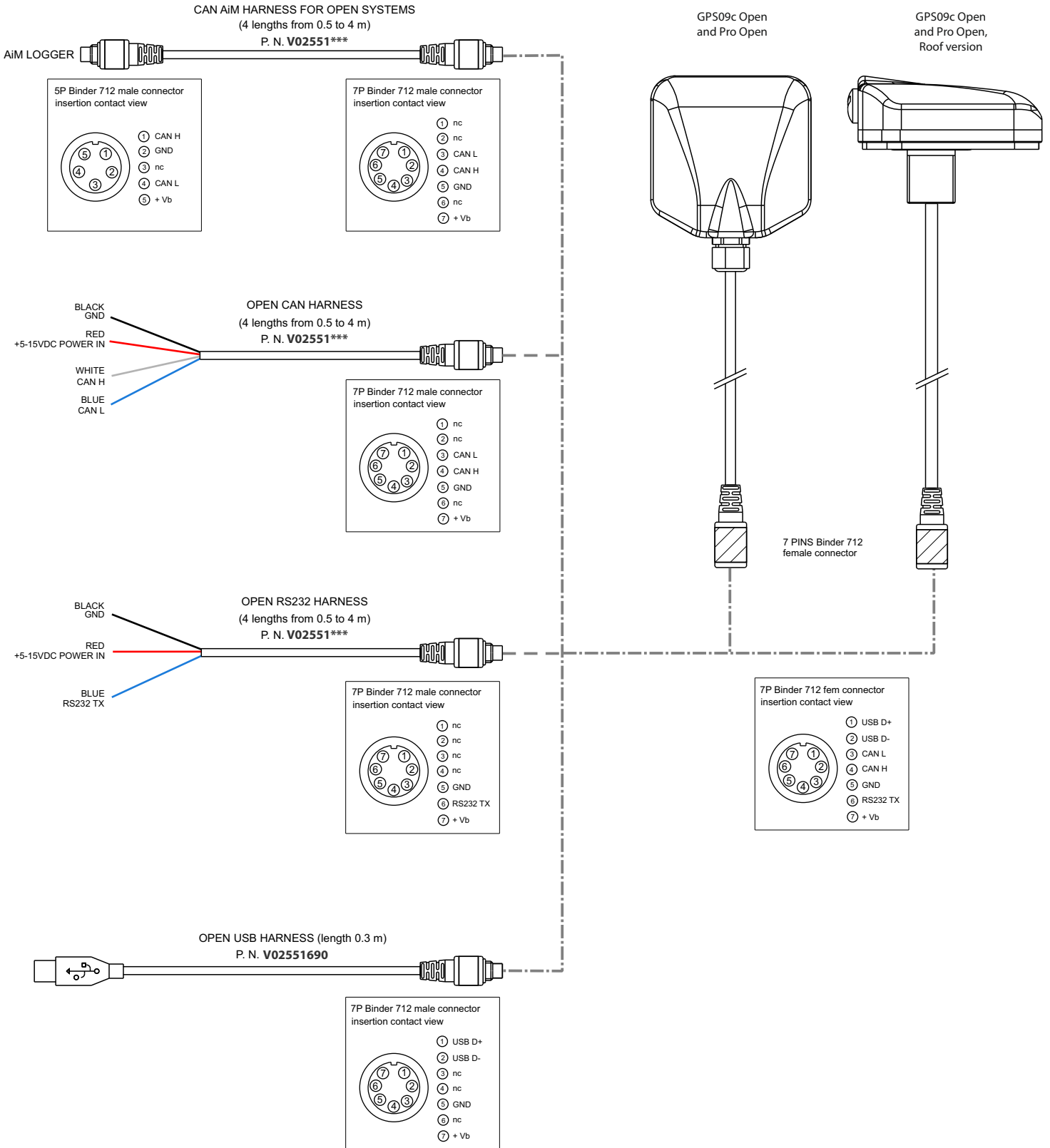


1	USB D+
2	USB D-
3	CAN L
4	CAN H
5	GND
6	RS232 TX
7	+ Vb



AiM GPS09c Open and Pro Open Expansion

Connections





AiM GPS09c Open and Pro Open Expansion

Technical specifications

GPS09c Open

GPS	25 Hz
External power	5÷15 V
Inertial platform	No
Connection	CAN, RS232
Dimensions	53.2 x 53.8 x 19.7 mm (Open) 53.2 x 53.8 x 37.2 mm (Open Roof version)
Weight	60.5 g (Open) 100 g (Open Roof version)
Waterproof	IP65

GPS09c Pro Open



GPS	25 Hz
External power	5÷15 V
Inertial platform	100 Hz internal 3 axis ±5G accelerometer + 3 axis gyro + 3 axis magnetometer
Connection	CAN, RS232
Dimensions	53.2 x 53.8 x 19.7 mm (Open Pro) 53.2 x 53.8 x 37.2 mm (Open Pro Roof version)
Weight	60.5 g (Pro Open) 100 g (Pro Open Roof version)
Waterproof	IP65





AiM GPS09c Open and Pro Open Expansion

Kits, accessories & optional parts



GPS09c Open, CAN 2/4 m versions

Description	Part number	The kit contains	
GPS09c Open + Open CAN Harness 2 m	X40GPS09OSSCO20	GPS09c Open	Open CAN Harness 2/4 m
GPS09c Open + Open CAN Harness 4 m	X40GPS09OSSCO40		



GPS09c Open, RS232 version

Description	Part number	The kit contains	
GPS09c Open + Open RS232 Harness 2 m	X40GPS09OSSRS20	GPS09c Open	Open RS232 Harness 2 m
			

GPS09c Open Roof, CAN 2/4 m versions

Description	Part number	The kit contains	
GPS09c Open Roof version + Open CAN Harness 2 m	X40GPS09OSRCO20	GPS09c Open Roof version	Open CAN Harness 2/4 m
GPS09c Open Roof version + Open CAN Harness 4 m	X40GPS09OSRCO40		

GPS09c Open Roof, RS232 version



Description	Part number	The kit contains	
GPS09c Open Roof version + Open RS232 Harness 2 m	X40GPS09OSRRS20	GPS09c Open Roof version	Open RS232 Harness 2 m
			





AiM GPS09c Open and Pro Open Expansion

Kits, accessories & optional parts



GPS09c Pro Open, CAN 2/4 m versions

Description	Part number	The kit contains
GPS09c Pro Open + Open CAN Harness 2 m	X40GPS09OPSCO20	GPS09c Pro Open  Open CAN Harness 2/4 m 
GPS09c Pro Open + Open CAN Harness 4 m	X40GPS09OPSCO40	



GPS09c Pro Open, RS232 version

Description	Part number	The kit contains
GPS09c Pro Open + Open RS232 Harness 2 m	X40GPS09OPSRS20	GPS09c Pro Open  Open RS232 Harness 2 m 

GPS09c Pro Open Roof, CAN 2/4 m versions

Description	Part number	The kit contains
GPS09c Pro Open Roof version + Open CAN Harness 2 m	X40GPS09OPRCO20	GPS09c Pro Open Roof version  Open CAN Harness 2/4 m 
GPS09c Pro Open Roof version + Open CAN Harness 4 m	X40GPS09OPRCO40	

GPS09c Pro Open Roof, RS232 version



Description	Part number	The kit contains
GPS09c Pro Open Roof version + Open RS232 Harness 2 m	X40GPS09OPRRS20	GPS09c Pro Open Roof version  Open RS232 Harness 2 m 



AiM GPS09c Open and Pro Open Expansion

Kits, accessories & optional parts

Optional harnesses

Description	Part number	
Open CAN Harness 0.5 m	V02551670	
Open CAN Harness 1 m	V02551760	
Open CAN Harness 2 m	V02551770	
Open CAN Harness 4 m	V02551780	
Description	Part number	
CAN AiM Harness for Open systems 0.5 m	V02551830	
CAN AiM Harness for Open systems 1 m	V02551840	
CAN AiM Harness for Open systems 2 m	V02551850	
CAN AiM Harness for Open systems 4 m	V02551860	
Description	Part number	
Open RS232 Harness 0.5 m	V02551790	
Open RS232 Harness 1 m	V02551800	
Open RS232 Harness 2 m	V02551810	
Open RS232 Harness 4 m	V02551820	
Description	Part number	
Open USB Harness 0.3 m	V02551690	