

AiM Infotech

Walbro MINJ400 ECU

Release 1.02

---



ECU



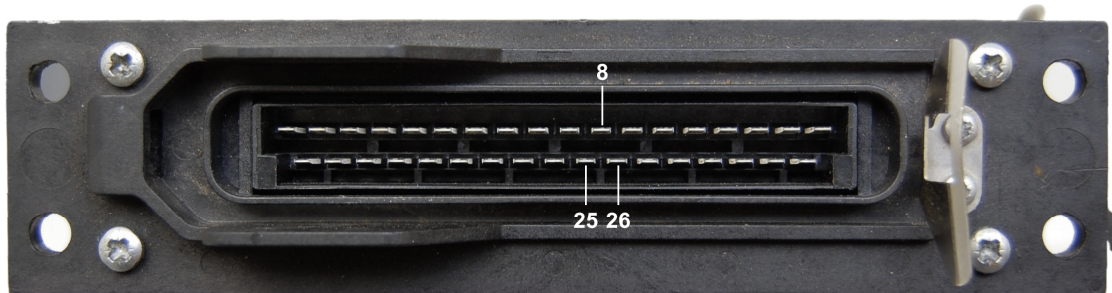
This tutorial explains how to connect Walbro MINJ400 to AiM devices.

# 1

## Wiring connection

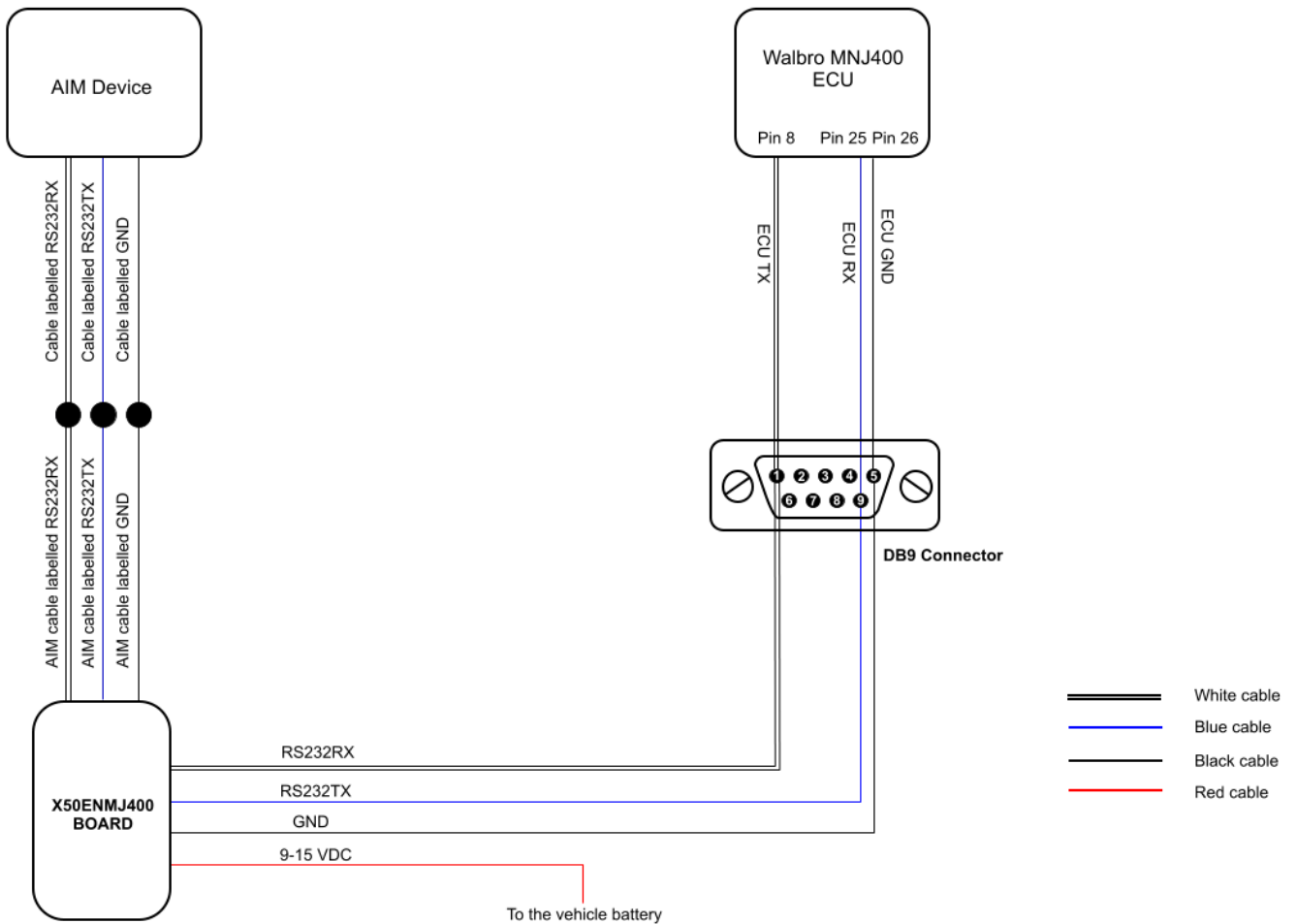
---

MINJ400 ECU feature a serial communication protocol on the 35 pins front male connector shown here below.



<b>35 pins Connector pin</b>	<b>Pin function</b>
8	RS232RX
28	RS232TX
26	GND

The connection with AiM devices is made using the DB9 connector on the ECU wiring and an AiM interface board whose part number is **X50ENMJ400**. Here below are wiring scheme as well as connection table.



35 pins connector pin	Pin function	DB9 pin	Board cable colour and label	AIM device cable label
8	RS232TX	1	White (RS232RX)	RS232RX
25	RS232RX	9	Blue (RS232TX)	RS232TX
26	GND	5	Black (GND)	GND
			Red (9-15 VDC)	

## 2

# AiM device configuration

---

Before connecting the ECU to AiM device set this up using AiM Race Studio software. The parameters to select in the device configuration are:

- ECU manufacturer "Walbro"
- ECU Model "MINJ400";

## 3

# Available channels

---

Channels received by AiM devices connected to "Walbro" "MINJ400" protocol are:

<b>ID</b>	<b>CHANNEL NAME</b>	<b>FUNCTION</b>
ECU_1	WALBRO_RPM	RPM
ECU_2	WALBRO_TPS	Throttle position sensor
ECU_3	WALBRO_DTPTS	Throttle position derivative
ECU_4	WALBRO_MAP	Manifold Air pressure
ECU_5	WALBRO_AIRT	Intake air temperature
ECU_6	WALBRO_ENGT	Engine temperature
ECU_7	WALBRO_LBDA1	Lambda value 1
ECU_8	WALBRO_ACT_BLK	Immobilizer
ECU_9	WALBRO_INJT1	Injection time 1
ECU_10	WALBRO_INJT2	Injection time 2
ECU_11	WALBRO_INJT3	Injection time 3
ECU_12	WALBRO_INJT4	Injection time 4
ECU_13	WALBRO_SPARK1	Spark advance 1
ECU_14	WALBRO_SPARK2	Spark advance 2



ECU_15	WALBRO_SPARK3	Spark advance 3
ECU_16	WALBRO_SPARK4	Spark advance 4
ECU_17	WALBRO_PHASE	Phase
ECU_18	WALBRO_IDLE_POS	Idle valve
ECU_19	WALBRO_BATT_V	Battery supply
ECU_20	WALBRO_ERCOUNTER	Error counter