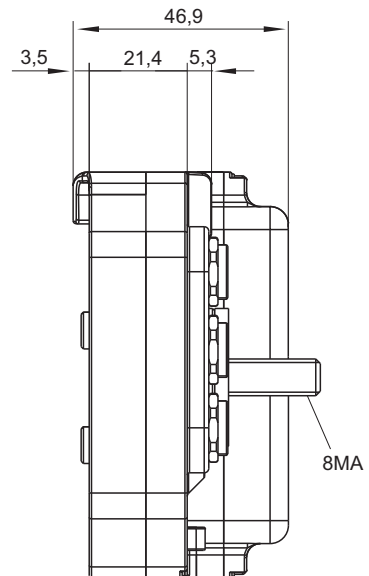
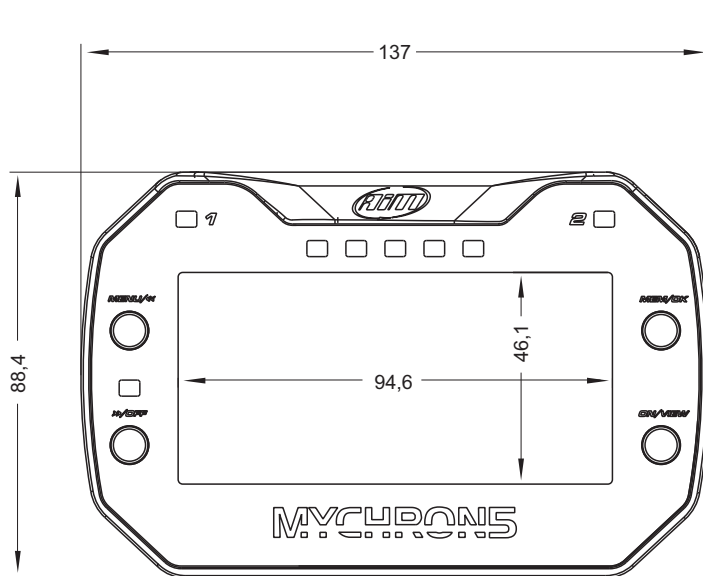


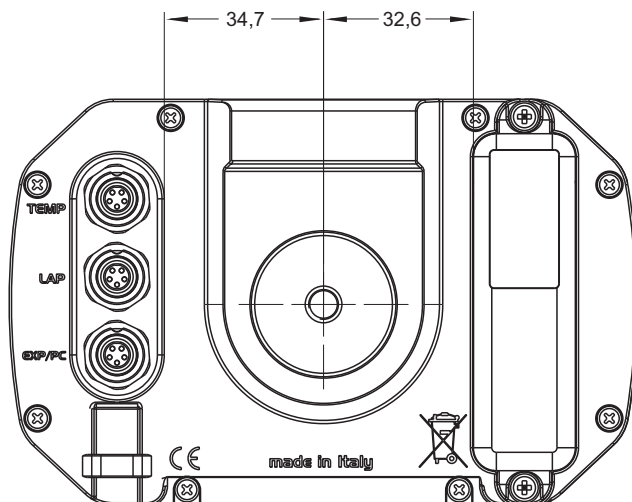


AiM MyChron5/2T

Dash logger



DIMENSIONS IN mm





AiM MyChron5/2T

Dash logger

MyChron4 vs MyChron5



GPS	Optional	Integrated
Inertial platform	--	Included
Wi-Fi connection	--	Included
Display resolution	160x96 pixel	268x128 pixel
Backlight	1 color	7 configurable RGB colors
Ambient light sensor	--	Included
Multifunction LEDs	1 Shift light	5 RGB LEDs*
Alarm LEDs	2	2 configurable
RPM sampling frequency	10 Hz	50 Hz
Body	ABS Plastics	Glass fiber reinforced Nylon
Pushbuttons	Rubber	Metal
Battery	Traditional 9V	Rechargeable Lithium
Memory	16 Mb	4 Gb
Dimensions	125,7 x 87,7 x 46 mm	137 x 88,4 x 47 mm
Weight, battery included	320 g	390 g
Waterproof	IP65	IP67

* Configurable as shift lights or RPM/laptimes alert



AiM MyChron5/2T

Dash logger

In the box

MyChron5, battery charger with cable, RPM cable, temperature sensor.
Optic/magnetic receiver optional.

Available kits

X80M5CHT0	MyChron5 with CHT sensor
X80M5EGT0	MyChron5 with EGT sensor
X80M5EGTT12	MyChron5 with EGT-T12 sensor
X80M5TRM10	MyChron5 with M10 water temp sensor

Optionals

X41RX12090	Infrared optical lap time receiver - Metallic connector - cm 90 cable
X41RX12140	Infrared optical lap time receiver - Metallic connector - cm 140 cable
X02RXMGC3SMP	Magnetic lap time receiver
V02557020	External power cable
X80MYC5TPB	Kit battery cover
X06A12VBME	12V battery charger EU
X06A12VBMU	12V battery charger USA
X06A12VBMG	12V battery charger UK
X06A12VBMA	12V battery charger AUS

Spare parts

2BT18650TDM	Battery
XSMCABATM5	Battery charger
X06AHB068	USB/AC power adapter EU
X06AHB070	USB/AC power adapter USA
X06AHB077	USB/AC power adapter UK
X06AHB071	USB/AC power adapter AUS
X90TMPC000	USB cable
X80M5KCBUSB1E	Battery charger kit EU*
X80M5KCBUSB1U	Battery charger kit USA*
X80M5KCBUSB1G	Battery charger kit UK*
X80M5KCBUSB1A	Battery charger kit AUS*
X05SNRPMY0	RPM cable

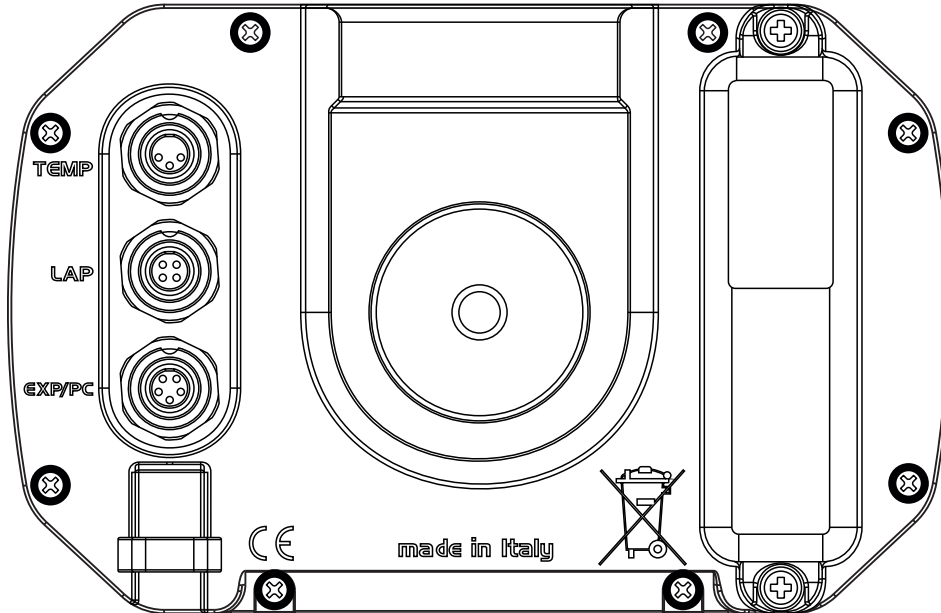
*The kit includes the battery charger, the UBS/AC power adapter and the USB cable.

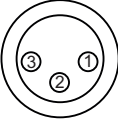
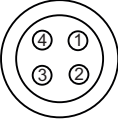
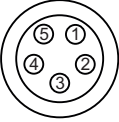


AiM MyChron5/2T

Dash logger

Pinout MyChron5



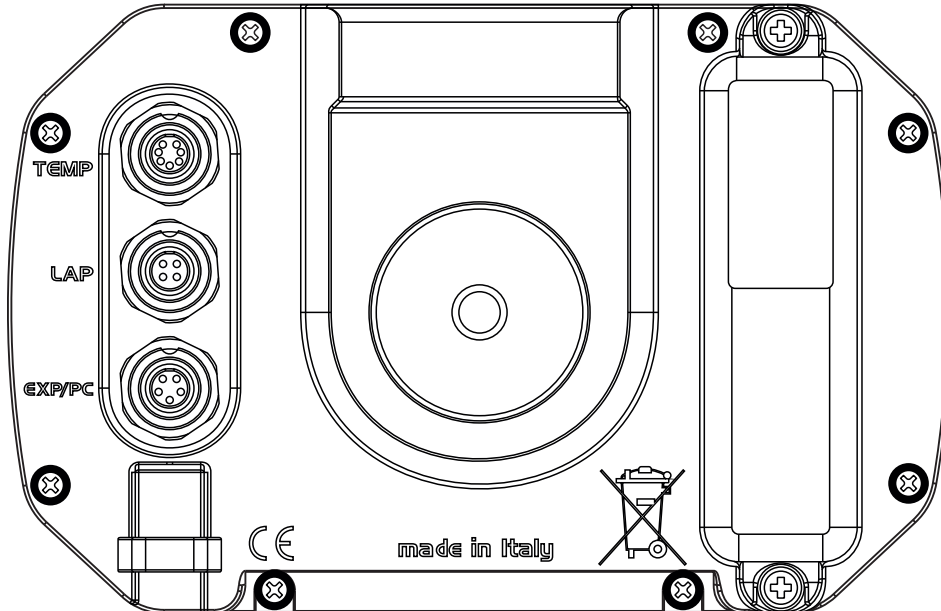
TEMP	LAP	EXP/PC
3 pins Binder 712 female connector (external view)	4 pins Binder 712 female connector (external view)	5 pins Binder 712 female connector (external view)
		
1 - Thermocouple 2 - GND 3 - Thermo resistor	1 - Magnetic Lap 2 - GND 3 - +Vbattery 4 - Optical Lap	1 - CAN+ Exp 2 - GND 3 - +Vbout CAN 4 - CAN- Exp 5 - +Vbext CAN

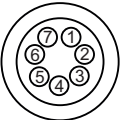
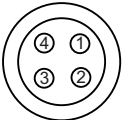
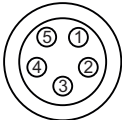


AiM MyChron5/2T

Dash logger

Pinout MyChron5 2T



TEMP 7 pins Binder 712 female connector (external view)	LAP 4 pins Binder 712 female connector (external view)	EXP/PC 5 pins Binder 712 female connector (external view)
 <ul style="list-style-type: none"> 1 - Thermocouple 1 2 - GND 3 - Thermocouple 2 4 - GND 5 - Thermo resistor 1 6 - GND 7 - Thermo resistor 2 	 <ul style="list-style-type: none"> 1 - Magnetic Lap 2 - GND 3 - +Vbattery 4 - Optical Lap 	 <ul style="list-style-type: none"> 1 - CAN+ Exp 2 - GND 3 - +Vbout CAN 4 - CAN- Exp 5 - +Vbext CAN



AiM MyChron5/2T

Dash logger

Product history

Rev	From serial number	Date	Changes
Rev04	50025150	Jun, 23th 2017	<ul style="list-style-type: none">▪ Display/display support<ul style="list-style-type: none">▪ Placed two dots of bicomponent glue between display and display support to prevent possible detachment of the display from his support
Rev03	50018493	Feb, 14th 2017	<ul style="list-style-type: none">▪ Backlight chassis/display support<ul style="list-style-type: none">▪ Chassis rev.02 with new material, more resistant to mechanical stress
Rev02	50016923	Feb, 7th 2017	<ul style="list-style-type: none">▪ MYC60-G<ul style="list-style-type: none">▪ New main board with arrangement for mounting heaters for display▪ Possibility of mounting two different case size of RGB LEDs
Rev01	50017230	Jan, 26th 2017	<ul style="list-style-type: none">▪ Battery shell<ul style="list-style-type: none">▪ Shell with new material, more resistant to mechanical stress
Rev01	50015550	Dec, 1st 2016	<ul style="list-style-type: none">▪ Backlight chassis/display support<ul style="list-style-type: none">▪ Chassis with new material, more resistant to mechanical stress