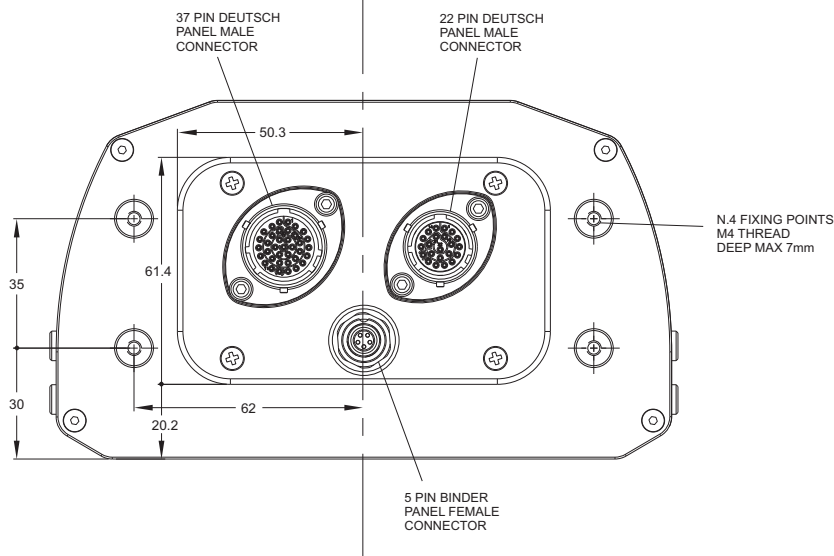
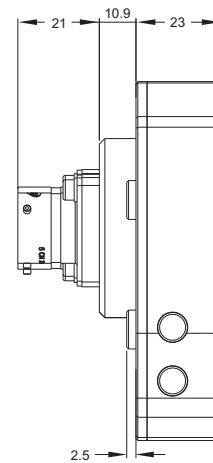
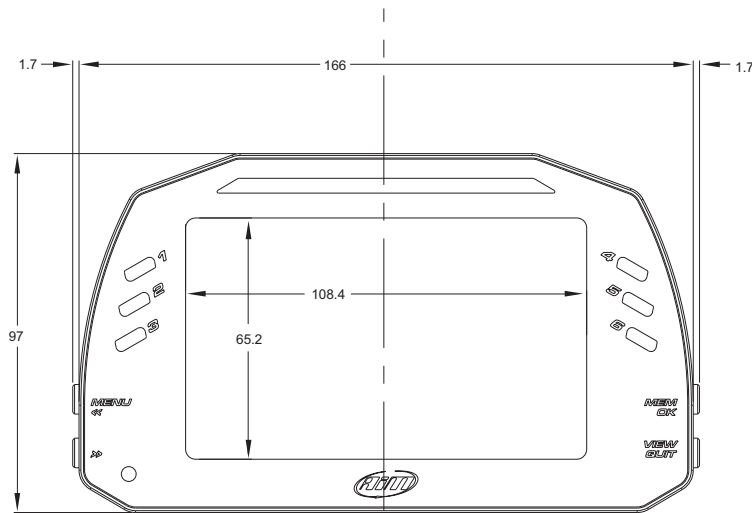
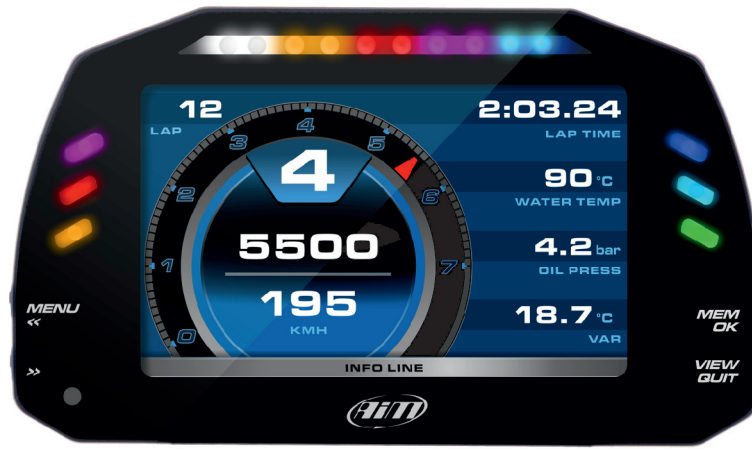




AiM MXS 1.2

Dash logger





AiM MXS 1.2

Dash logger

Technical specifications

| | |
|-----------------------------|--|
| Display | 5" TFT |
| Resolution | 800x480 pixels |
| Contrast | 600:1 |
| Brightness | 700cd/m2 - 1,100 Lumen |
| Ambient light sensor | Yes |
| Alarm LEDs | 6 configurable RGB LEDs |
| Shift Lights | 10 configurable RGB LEDs |
| CAN connections | 3 |
| ECU connection | CAN, RS232 or K-Line to 1,000+ industry leading ECUs |
| External modules | GPS Module, Channel Expansion, Thermocouple Expansion, Lambda Controller, SmartyCam HD |
| Analog inputs | 8 fully configurable, max 1,000 Hz each |
| Digital inputs | 4 Speed inputs, lap signal, coil RPM input |
| Digital outputs | 2 (1 Amp max each) |
| Second CAN | Yes |
| WiFi connection | Yes |
| Inertial platform | Internal 3 axis $\pm 5G$ accelerometer + 3 axis gyro + 3 axis magnetometer |
| Internal memory | 4 GB |
| Body | Anodized Aluminum |
| Pushbuttons | Metallic |
| Connectors | 2 Motorsport connectors + 1 Binder connector |
| Dimensions | 169.4 x 97 x 23 mm |
| Weight | 530 g |
| Power consumption | 400 mA |
| Waterproof | IP65 |



AiM MXS 1.2

Dash logger

In the box

MXS 1.2, GPS Module with cable, USB cable, 37 pins standard harness, Race Studio 3 software

Part numbers

| | |
|----------------------|---|
| XA2MXS12A13G1 | MXS 1.2 + GPS Module with 1.3 m cable length |
| XA2MXS12A20G1 | MXS 1.2 + GPS Module with 2 m cable length |
| XA2MXS12A40G1 | MXS 1.2 + GPS Module with 4 m cable length |
| XA2MXS12A20R1 | MXS 1.2 + GPS Module «roof» version with 2 m cable length |
| XA2MXS12A40R1 | MXS 1.2 + GPS Module «roof» version with 4 m cable length |
| XA2MXS12I40G1 | MXS 1.2 «Street icons» version + GPS Module with 4 m cable length |

Spare parts

| | |
|--------------------|-------------------------------------|
| V02573010 | 37 pins standard harness |
| X40GPS5B130 | GPS Module with 1.30 m cable length |
| X40GPS5B400 | GPS Module with 4.00 m cable length |
| V02573030 | USB adapter |
| X90TMPC002 | USB cable |

Optionals

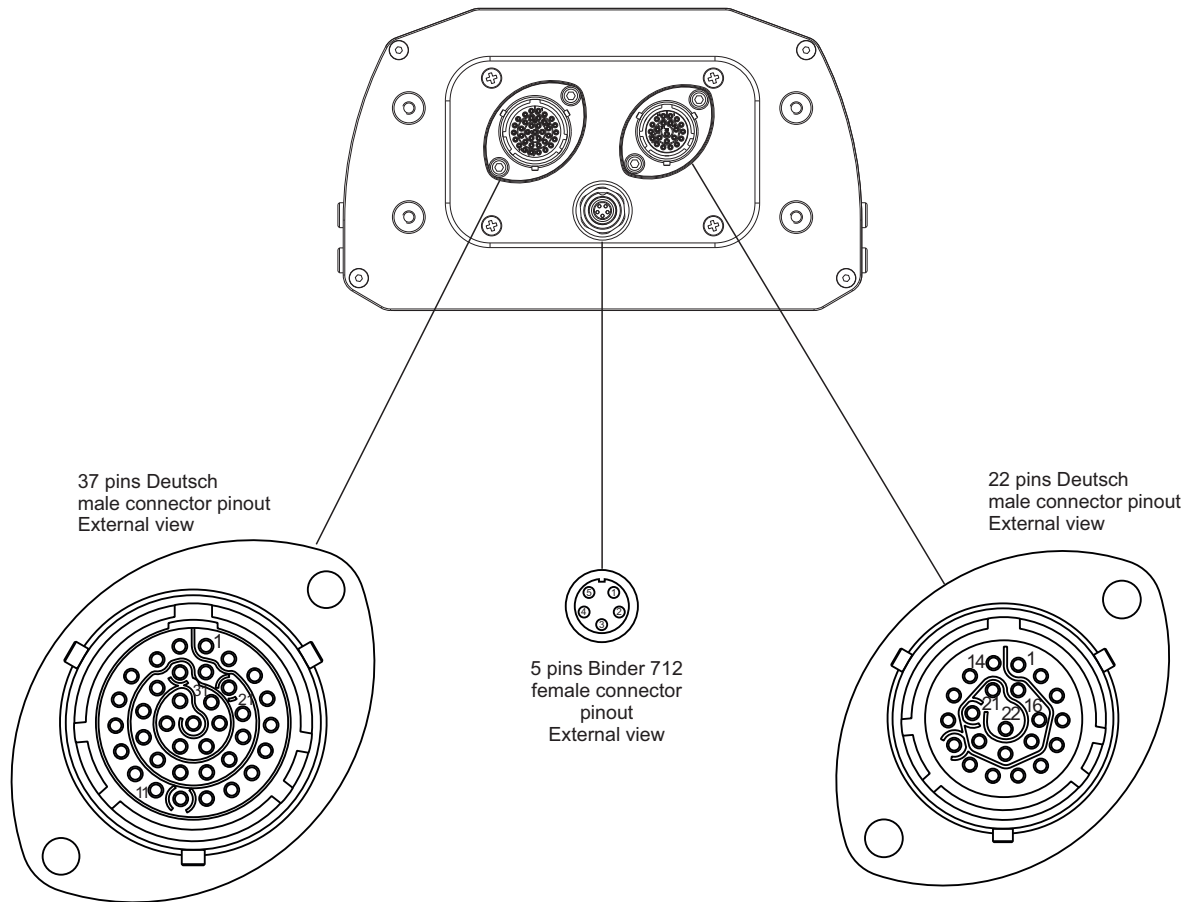
| | |
|------------------|--------------------------------------|
| V02573020 | 22 pins harness |
| V02573080 | 22 pins harness with 1 thermocouple |
| V02573160 | 22 pins harness with 2 thermocouples |
| V02573040 | 37 pins harness with 1 thermocouple |
| V02573050 | 37 pins harness with 2 thermocouples |
| 5CN822F00 | 22 pin female Deutsch connector |
| 5CN837F00 | 37 pin female Deutsch connector |



AiM MXS 1.2

Dash logger

Pinout



| Pin | Deutsch 37 pin |
|-----|-------------------|
| 1 | 9-15V Power input |
| 2 | Battery GND |
| 3 | CAN+ Exp |
| 4 | GND |
| 5 | +Vbattery CAN |
| 6 | CAN- Exp |
| 7 | +Vb Ext |
| 8 | CAN1+ ECU |
| 9 | CAN 1- ECU |
| 10 | GND |
| 11 | K Line ECU |
| 12 | USB D+ |
| 13 | USB D- |
| 14 | GND |
| 15 | RPM |
| 16 | GND |
| 17 | +Vbattery |
| 18 | Optical Lap |
| 19 | Speed1 |

| Pin | Deutsch 37 pin |
|-----|----------------|
| 20 | GND |
| 21 | +Vbattery |
| 22 | Analog Input 1 |
| 23 | Analog GND |
| 24 | +Vbattery |
| 25 | +Vreference |
| 26 | Analog Input 2 |
| 27 | Analog GND |
| 28 | +Vbattery |
| 29 | +Vreference |
| 30 | Analog Input 3 |
| 31 | Analog GND |
| 32 | +Vbattery |
| 33 | +Vreference |
| 34 | Analog Input 4 |
| 35 | Analog GND |
| 36 | +Vbattery |
| 37 | +Vreference |

| Pin | Binder |
|-----|-------------------|
| 1 | Video input 1 |
| 2 | GND |
| 3 | +Vb output Camera |
| 4 | GND |
| 5 | Video input 2 |

| Pin | Deutsch 37 pin |
|-----|------------------|
| 1 | Analog Input 5 |
| 2 | Analog GND |
| 3 | +Vbattery |
| 4 | +Vreference |
| 5 | Analog Input 6 |
| 6 | Analog Input 7 |
| 7 | Analog GND |
| 8 | +Vbattery |
| 9 | +Vreference |
| 10 | Analog Input 8 |
| 11 | Speed 2 |
| 12 | GND |
| 13 | +Vbattery |
| 14 | Speed 3 |
| 15 | Speed 4 |
| 16 | GND |
| 17 | CAN2+ ECU |
| 18 | CAN2- ECU |
| 19 | Digital output 1 |
| 20 | Digital output 2 |
| 21 | RS232 Tx |
| 22 | RS232 Rx |



AiM MXS 1.2

Dash logger

Product history

| Rev | From serial number | Date | Changes |
|-----|--------------------|----------------|---------|
| -- | 4501724 | Jun, 12th 2018 | -- |