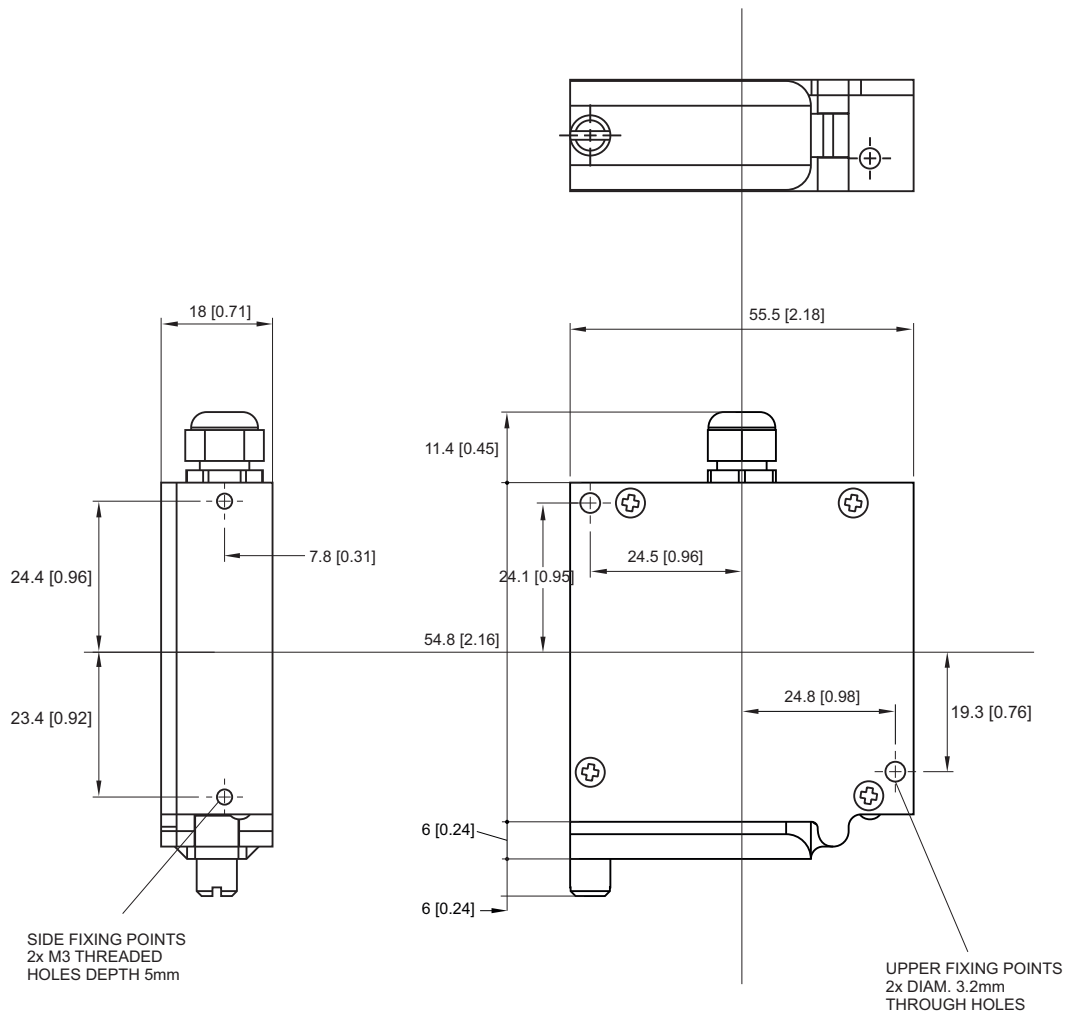




# Memory Module

## Expansion





# Memory Module

## Expansion

### Technical specifications

|                              |   |
|------------------------------|---|
| <b>Max power consumption</b> | 50 mA                                       |
| <b>Cable length</b>          | 40 cm                                       |
| <b>SD Card</b>               | 4 Gb (in the kit); it supports up to 128 Gb |
| <b>Dimensions</b>            | 55.5 x 78.3 x 18 mm                         |
| <b>Weight</b>                | 103 g                                       |
| <b>Waterproof</b>            | IP65  |

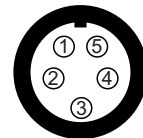
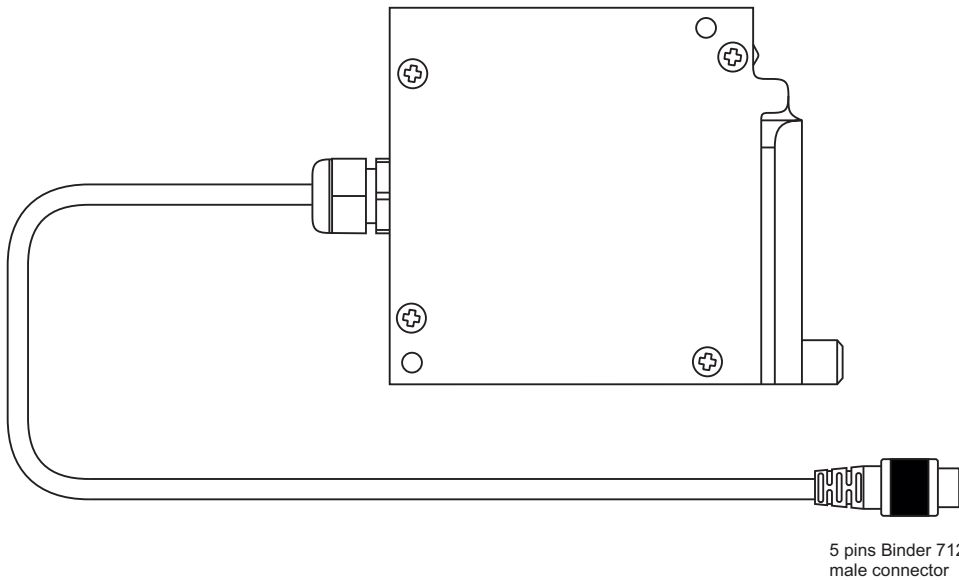
### Part number

**X08MMD040** Memory Module with integrated 40 cm cable

### In the box

Memory Module, 4Gb SD card

### Pinout



5 pins Binder 712 male connector front view

- 1 - CAN High
- 2 - GND
- 3 - +Vb
- 4 - CAN Low
- 5 - nc