

AiM Infotech

Bimota DB8 ECU

Release 1.00

---



ECU



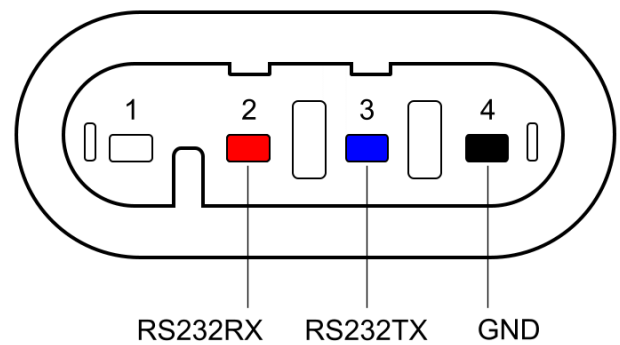
# 1 Supported models and years

This tutorial explains how to connect Bimota bikes to AiM devices. Supported models and years are:

- Bimota DB8 2010-2011

# 2 Wiring connection

Bimota DB8 features a serial communication bus. To reach it you find a 4 pins Superseal female connector installed on the bike harness. Here below is the connector on the left and its pinout on the right. Bottom is connection table.



Superseal connector pin	Pin function	AiM cable
2	RS232RX	RS232TX
3	RS232TX	RS232RX
4	GND	GND

## 3

# AiM device configuration

---

Before connecting the ECU to AiM device set this up using AiM Race Studio software. The parameters to select in the device configuration are:

- ECU manufacturer "Walbro"
- ECU Model:"Bimota\_DB8"

## 4

# Available channels

---

Channels received by AiM devices connected to "Walbro" "Bimota\_DB8" protocol are:

<b>ID</b>	<b>CHANNEL NAME</b>	<b>FUNCTION</b>
ECU_1	WALBRO_RPM	RPM
ECU_2	WALBRO_SPEED	Vehicle speed
ECU_3	WALBRO_TPS	Throttle position sensor
ECU_4	WALBRO_DTPTS_POS	Throttle position sensor positive delta
ECU_5	WALBRO_DTPTS_NEG	Throttle position sensor negative delta
ECU_6	WALBRO_MAP	Manifold air pressure
ECU_7	WALBRO_BAP	Barometric air pressure
ECU_8	WALBRO_AIRT	Intake air temperature
ECU_9	WALBRO_ENGT	Engine temperature
ECU_10	WALBRO_LBDA1	Lambda 1 value
ECU_11	WALBRO_LBDA2	Lambda 2 value
ECU_12	WALBRO_LBDA_T	Lambda target value
ECU_13	WALBRO_KLBDA1	Fuel correction from Lambda 1 value
ECU_14	WALBRO_KLBDA2	Fuel correction from Lambda 2 value
ECU_15	WALBRO_INJT1	Injection time 1
ECU_16	WALBRO_INJT2	Injection time 2



ECU_17	WALBRO_SPARK1	Spark advance 1
ECU_18	WALBRO_SPARK2	Spark advance 2
ECU_19	WALBRO_PHASE1	Injection phase 1
ECU_20	WALBRO_PHASE2	Injection phase 2
ECU_21	WALBRO_IDLE_VALVE	Idle valve position
ECU_22	WALBRO_ACTIVEBLOCK	Immobilizer
ECU_23	WALBRO_NEUTRAL	Neutral sensor
ECU_24	WALBRO_BATT_V	Battery supply
ECU_25	WALBRO_ERCOUNTER	Error counter

**Technical note:** not all data channels outlined in the ECU template are validated for each manufacturer model or variant; some of the outlined channels are model and year specific, and therefore may not be applicable.