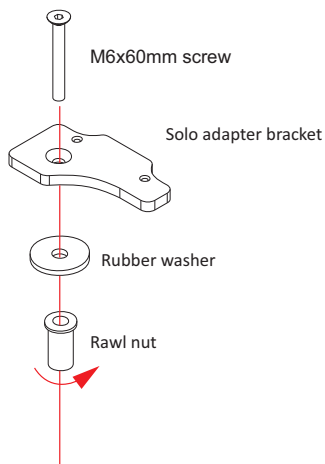


# Kit AiM Solo/SoloDL for Yamaha R1-R1M 2015

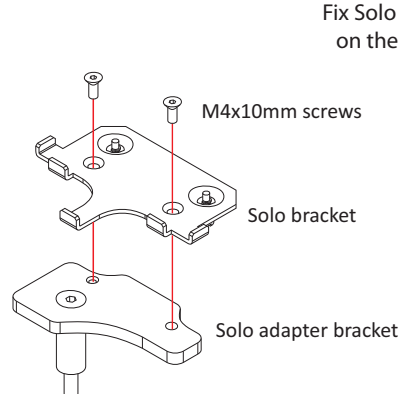
## Installation guide

Fig. 1/6



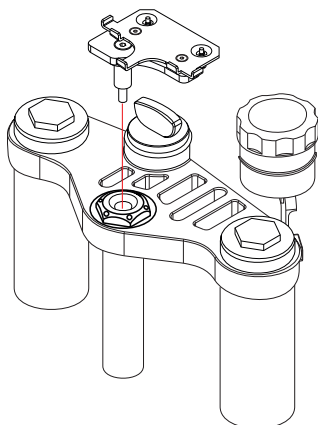
Insert the screw in the bracket and in the rubber washer. Screw the rawl nut on the screw.

Fig. 2/6



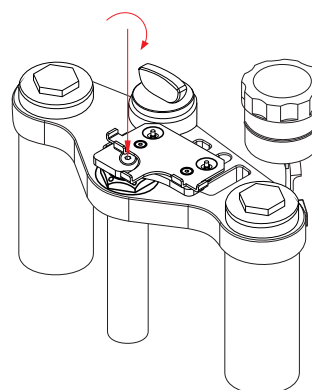
Fix Solo and SoloDL bracket on the kit bracket using M4x10 screws.

Fig. 3/6



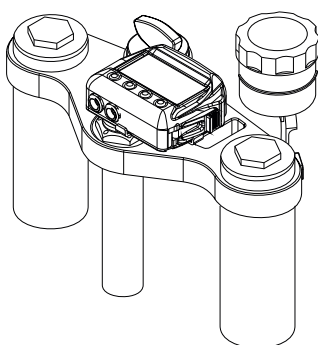
Insert the rawl nut in the handle bar hinge.

Fig. 4/6



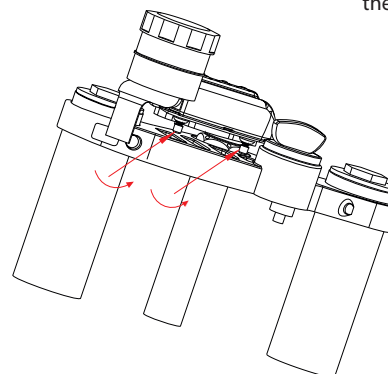
Screw the central screw on the hinge so that this last grips.

Fig. 5/6



Hook Solo/SoloDL to its bracket.

Fig. 6/6



Fix Solo screwing the kit bracket screws.

