



# AiM MXS Strada Light

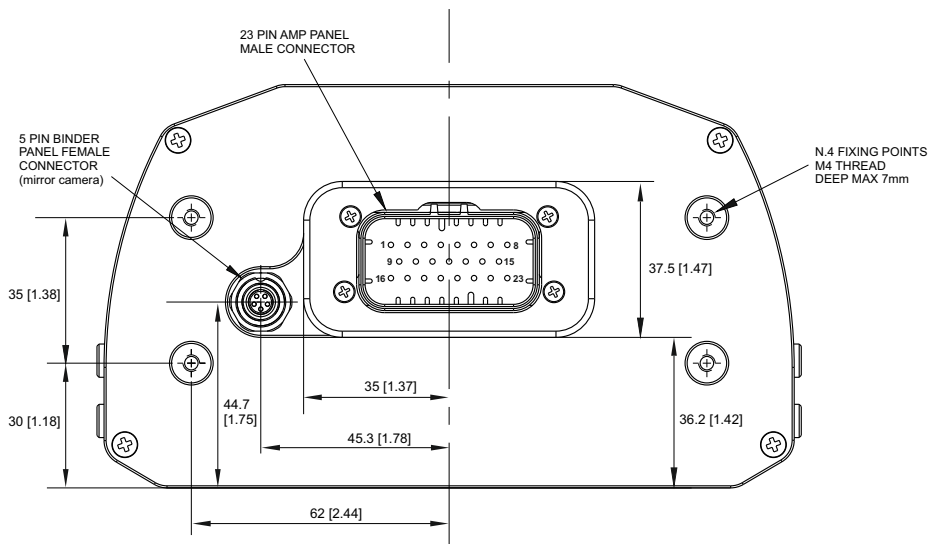
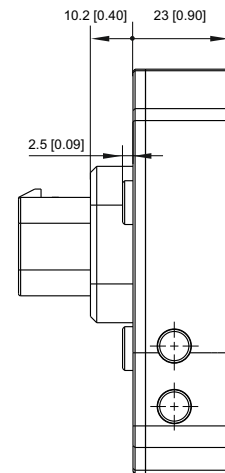
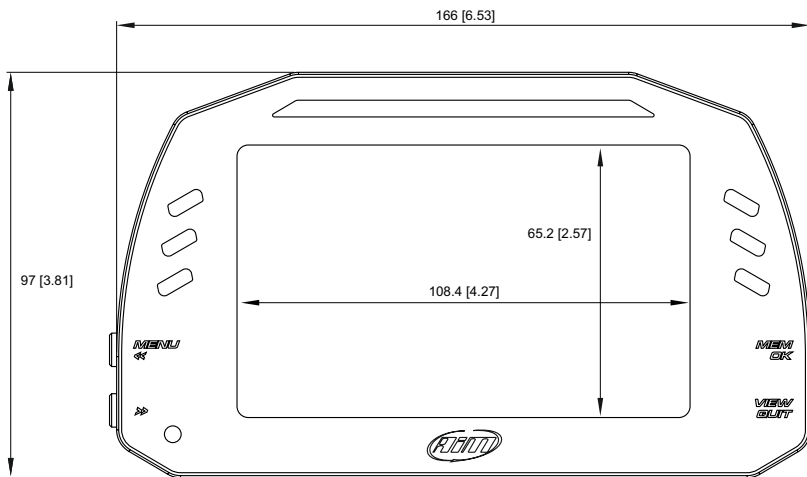
## Dash



Standard version



Street icons version





# AiM MXS Strada Light

## Dash

### Technical specifications

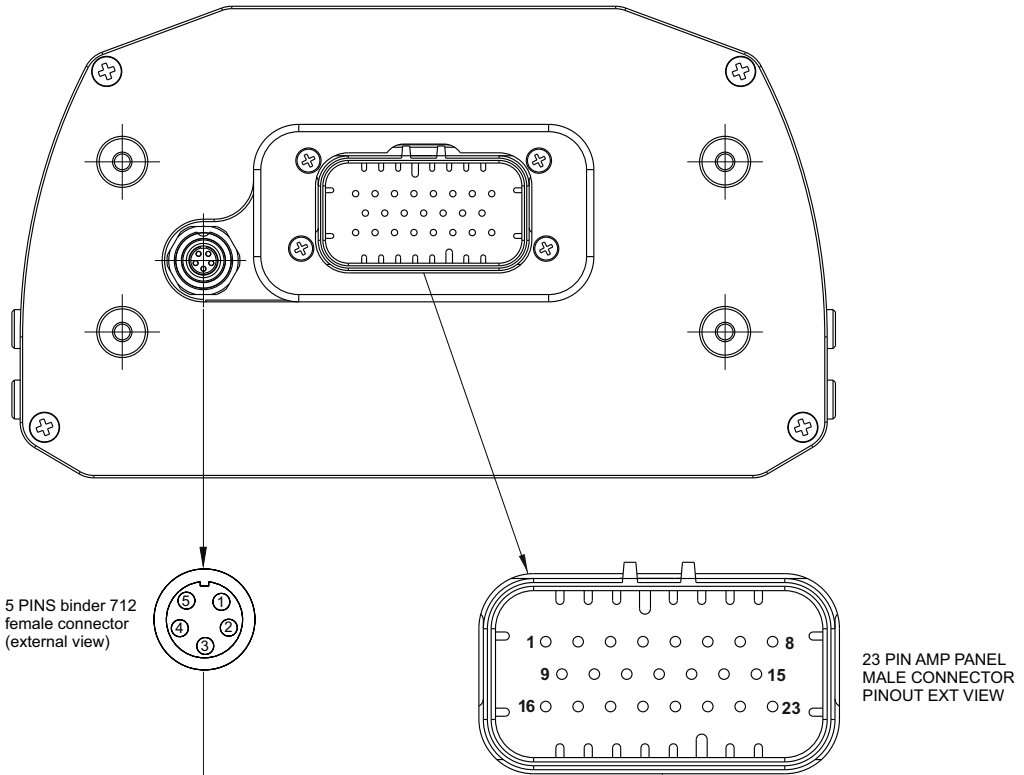
<b>Display</b>	5" TFT
<b>Resolution</b>	800x480 pixels
<b>Contrast</b>	600:1
<b>Brightness</b>	700 cd/m2 - 1,100 Lumen
<b>Ambient light sensor</b>	Yes
<b>Alarm LEDs</b>	6 configurable RGB LEDs
<b>Shift Lights</b>	10 configurable RGB LEDs
<b>CAN connections</b>	3
<b>ECU connection</b>	CAN or K-Line to 2,000+ industry leading ECUs
<b>External modules</b>	GPS09c, Channel Expansion, TC Hub (necessary to connect K thermocouples), Lambda Controller, SmartyCam 3 Series
<b>Analog inputs</b>	4 fully configurable, max 500 Hz each
<b>EXT video inputs</b>	1 PAL-NTSC
<b>Second CAN</b>	Yes
<b>Body</b>	Anodized Aluminum
<b>Pushbuttons</b>	Metallic
<b>Connectors</b>	1 AMP connector + 1 Binder connector
<b>Dimensions</b>	169.4x97x33.2 mm
<b>Weight</b>	460 g
<b>Power consumption</b>	400 mA
<b>Waterproof</b>	IP67



# AiM MXS Strada Light

## Dash

### Pinout



Pin	Function
1	Video input 1
2	GND
3	+Vb output CAM
4	GND
5	Video input 2

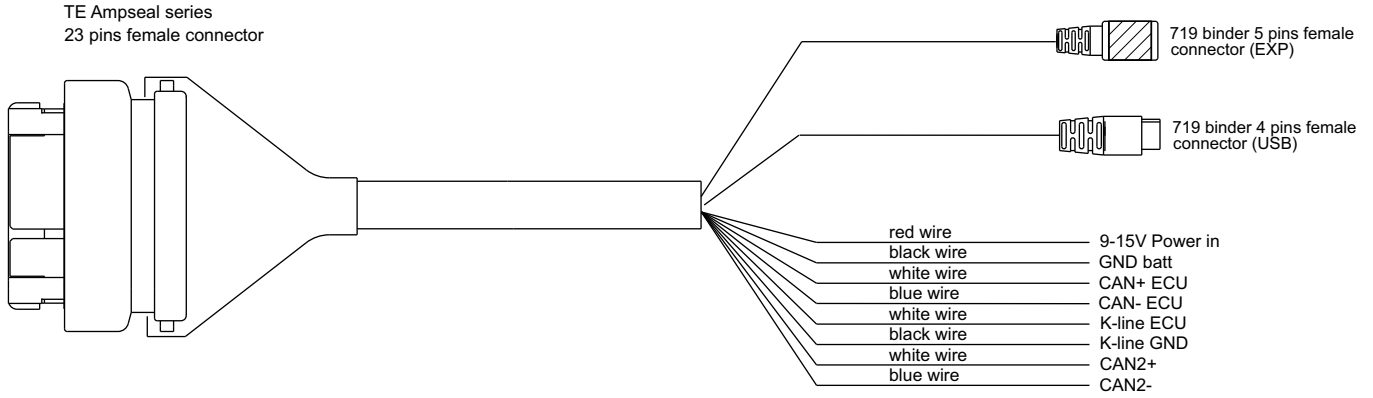
Pin	AMP 23 pin
1	9-15V Power in
2	GND batt
3	CH AN 1
4	CH AN 2
5	+Vb out
6	CAN+ exp
7	CAN- exp
8	+Vb ext can
9	CAN1+
10	CAN1-
11	CH AN 3
12	CH AN 4
13	+5Vref
14	+Vb out CAN
15	GND
16	K-line ECU
17	GND
18	USB D+
19	USB D-
20	GND
21	Reserved
22	CAN2+
23	CAN2-



# AiM MXS Strada Light

## Dash

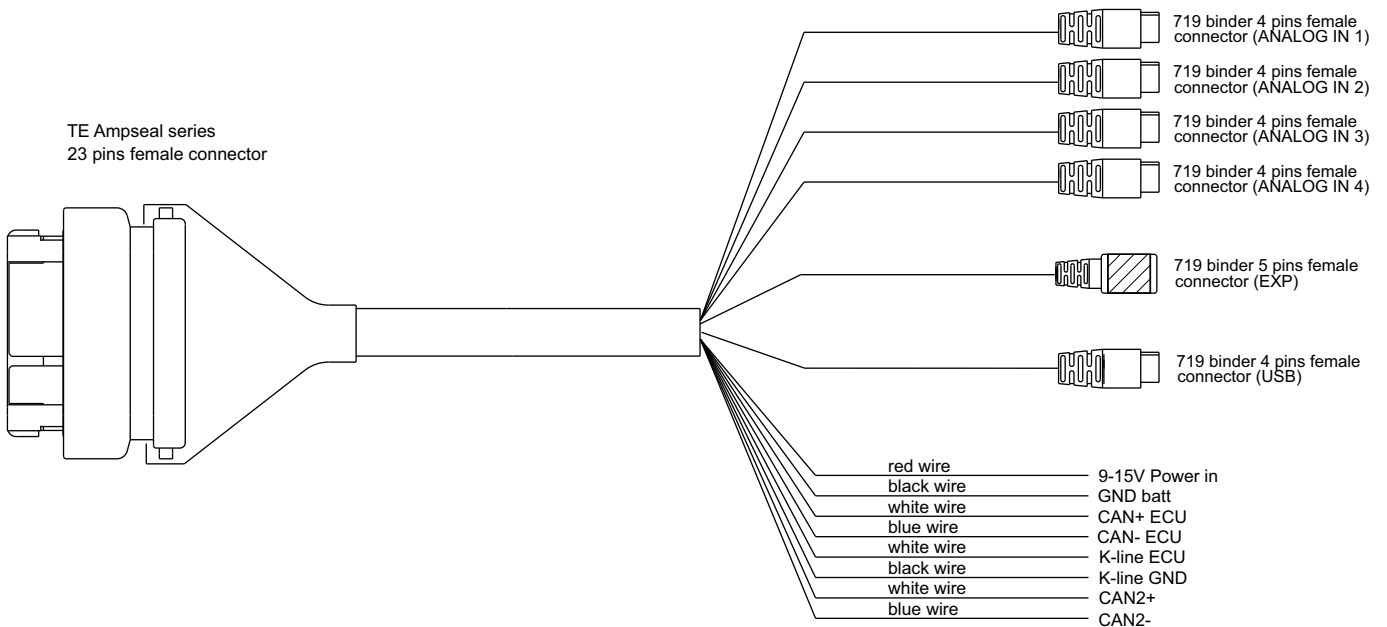
### Standard harness



### Part number

**V02573630** Standard harness

### Full harness



### Part number

**V02573620** Full harness





# AiM MXS Strada Light

## Dash

### Kits, accessories & spare parts



#### Kit 1 MXS Strada Light, Standard version + 23 pins Standard harness

Description	Part number	The kit contains
MXS Strada Light Standard version + 23 pins Standard harness	<b>XMMSLGTASH</b>	MXS Strada Light Standard version  23 pins Standard harness 



#### Kit 2 MXS Strada Light, Standard version + 23 pins Full harness

Description	Part number	The kit contains
MXS Strada Light Standard version + 23 pins Full harness	<b>XMMSLGTAFH</b>	MXS Strada Light Standard version  23 pins Full harness 

#### Kit 3 MXS Strada Light, Street icons version + 23 pins Standard harness

Description	Part number	The kit contains
MXS Strada Light Street icons version + 23 pins Standard harness	<b>XMMSLGTISH</b>	MXS Strada Light Street icons version  23 pins Standard harness 

#### Kit 4 MXS Strada Light, Street icons version + 23 pins Full harness

Description	Part number	The kit contains
MXS Strada Light Street icons version + 23 pins Full harness	<b>XMMSLGTIFH</b>	MXS Strada Light Street icons version  23 pins Full harness 



# AiM MXS Strada Light

Dash

## Kits, accessories & spare parts

Harnesses	Part number	
Standard harness	<b>V02573630</b>	
Full Harness	<b>V02573620</b>	