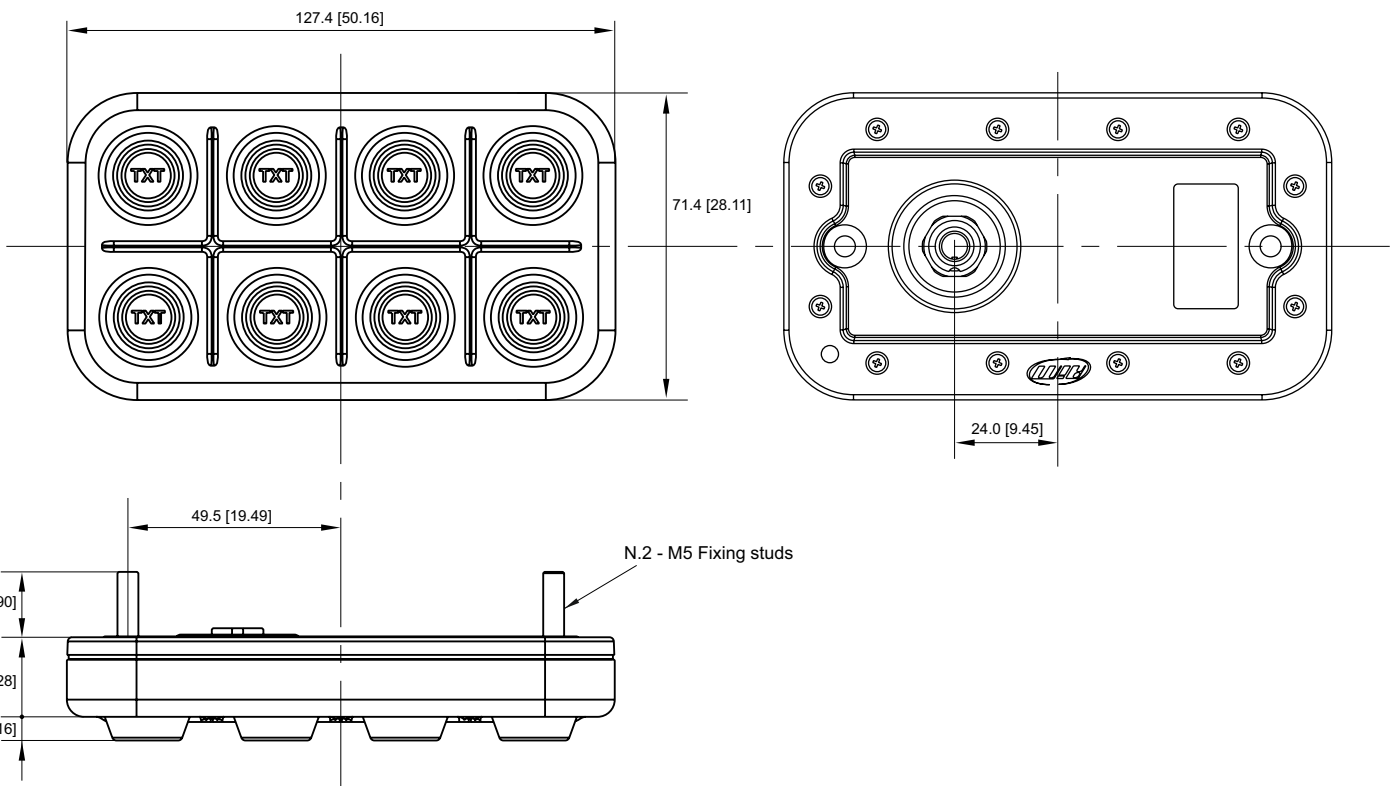




AiM K8 Open Keypad

CAN-BUS keypad Open version



Dimensions in mm [inches]



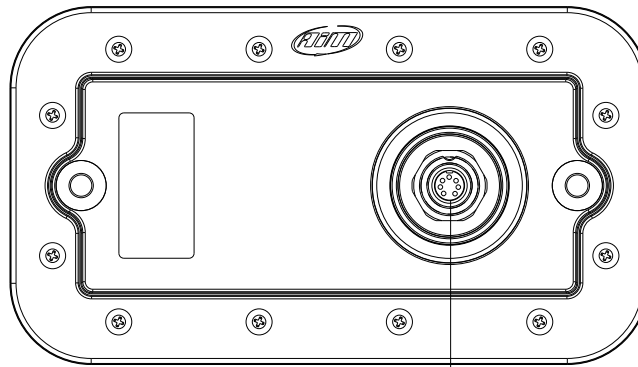
AiM K8 Open Keypad

CAN-BUS keypad Open version

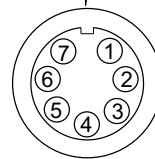
Technical specifications

| | |
|--------------------------|--|
| Keys | 8 programmable keys (momentary, toggle, multistatus) |
| Backlight buttons | RGB with dimming option |
| Connection | USB CAN Binder 7 pins |
| Voltage | 9÷15 V |
| Material | Rubber silicon and PA6 GS30% |
| Dimensions | 127.4 x 71.4 x 24 mm |
| Weight | 150 g |
| Waterproof | IP67 |

Pinout



7 pins binder 712 female connector (external view)



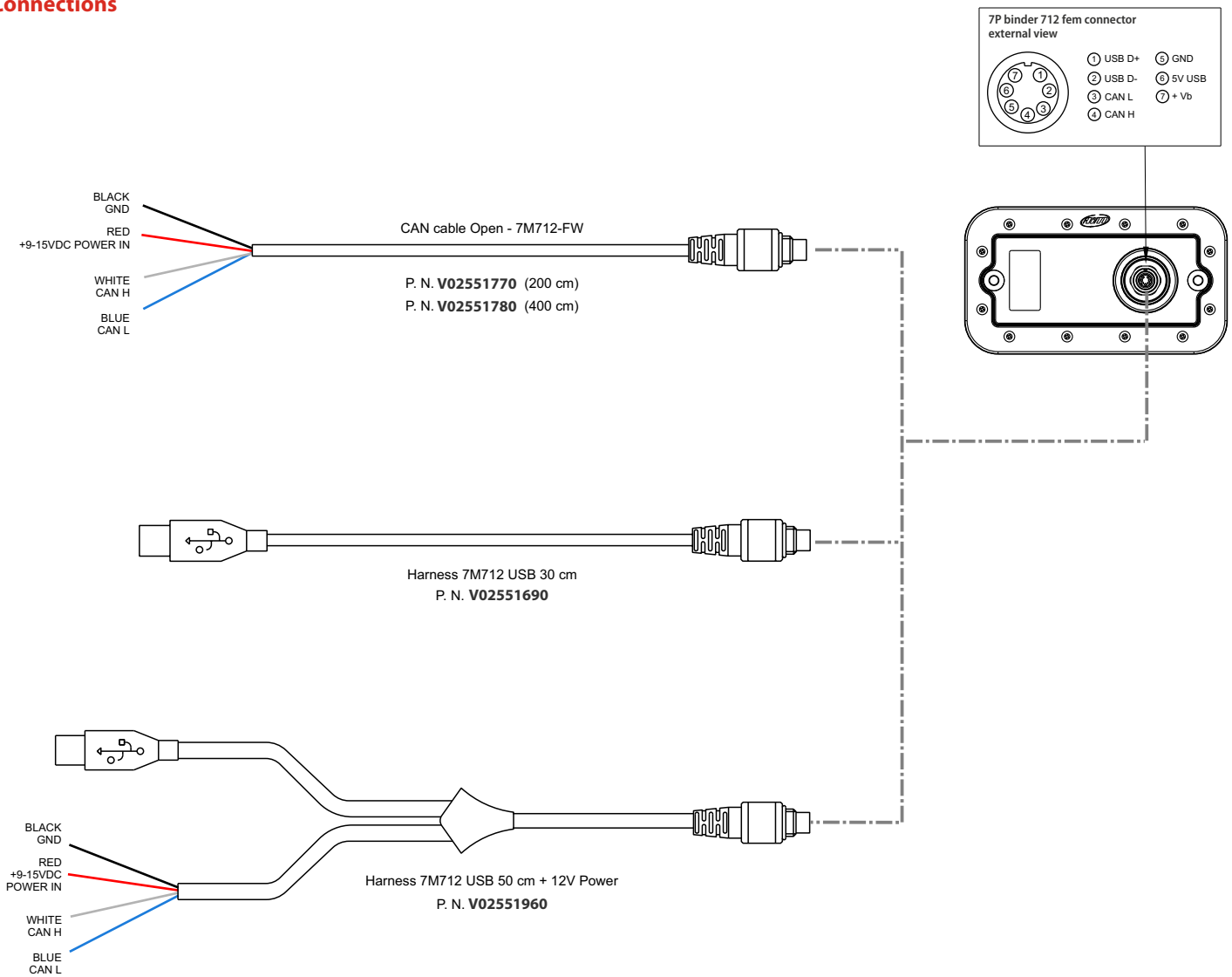
| CAN BUS CABLE | |
|---------------|---------|
| 1 | USB D+ |
| 2 | USB D- |
| 3 | CAN L |
| 4 | CAN H |
| 5 | GND |
| 6 | +5V USB |
| 7 | + Vb |



AiM K8 Open Keypad

CAN-BUS keypad Open version

Connections



Part numbers

| | |
|--------------------------|---|
| X08KPK80 | Keypad K8 Open without cables |
| X08KPK80C200 | Keypad K8 Open + CAN cable Open - 7M712-FW 200 cm |
| X08KPK80C400 | Keypad K8 Open + CAN cable Open - 7M712-FW 400 cm |
| X08KPK8KICONS | Icons kit (72 pieces) |
| PART NUMBERS HERE | Single icons (chosen by the user) |
| V02551770 | CAN cable Open - 7M712-FW 200 cm |
| V02551780 | CAN cable Open - 7M712-FW 400 cm |
| V02551690 | Harness 7M712 USB 30 cm |
| V02551960 | Harness 7M712 USB 50 cm + 12V Power |