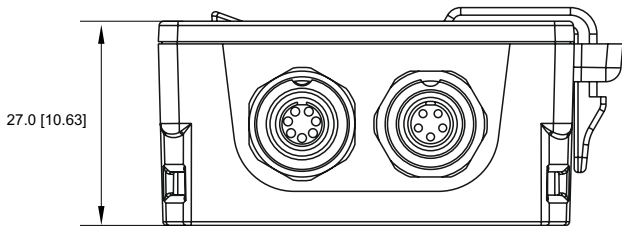
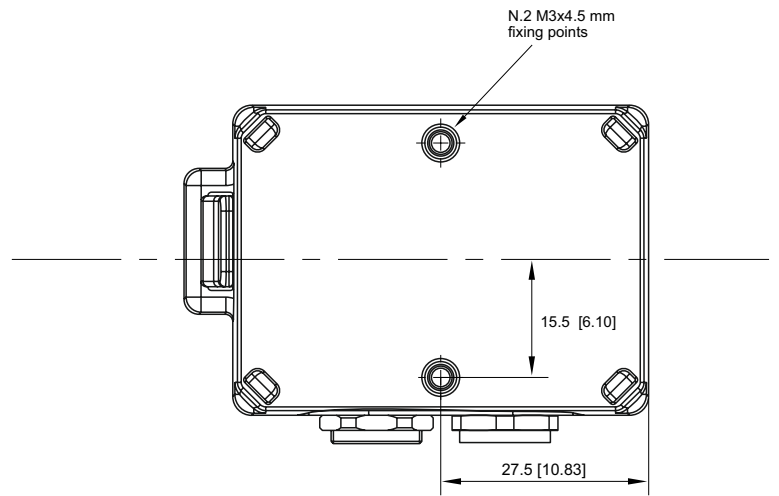
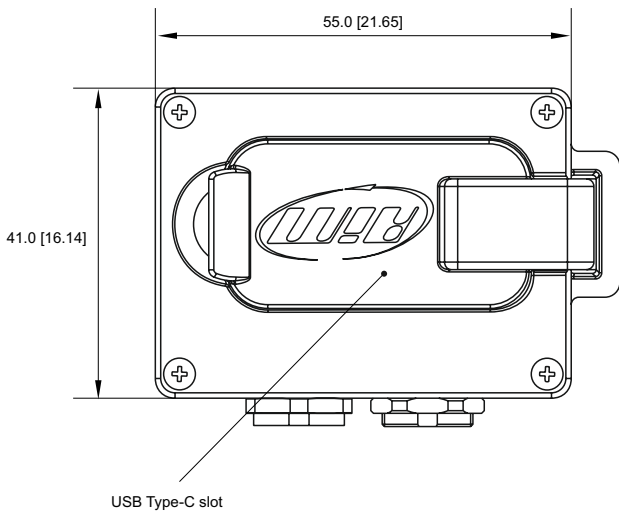




ECULog

Logger



Dimensions in mm [inches]



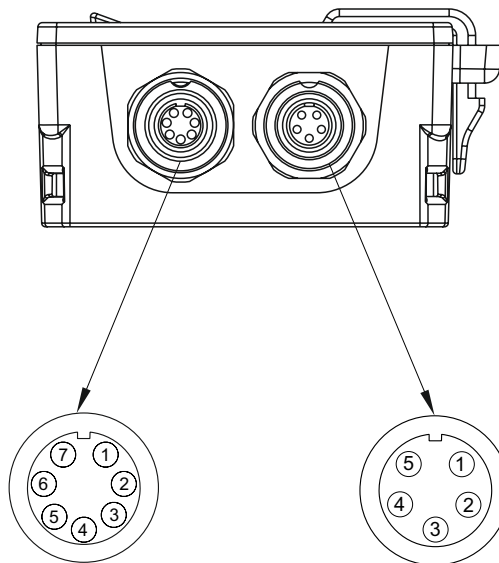
ECULog

Logger

Technical specifications

| | |
|-----------------------|--|
| ECU connection | CAN, RS232 or K-Line |
| Expansions | GPS09c/GPS09c Pro, ACC2, LCU1, SmartyCam 3 Series |
| External power | 9÷15 V |
| Connectors | 1 socket (Binder) 712, 5 pins 1 socket (Binder) 712, 7 pins 1 USB Type-C |
| Memory | 4 GB + removable USB-C memory card |
| Material | PA6 GS30% |
| Dimensions | 61.4x44.7x27.2 mm |
| Weight | 100 g approx. |
| Waterproof | IP67 |

Pinout



7 pins Binder 712 female connector pinout external view





5 pins Binder 712 female connector pinout external view

| ECU Connector | |
|---------------|-------------|
| 1 | CAN ECU+ |
| 2 | CAN ECU- |
| 3 | +Vbext |
| 4 | ECU RS232TX |
| 5 | ECU RS232RX |
| 6 | K-Line |
| 7 | GND |

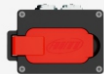



| EXP Connector | |
|---------------|--------|
| 1 | CAN+ |
| 2 | GND |
| 3 | +Vbout |
| 4 | CAN- |
| 5 | +Vbext |

Available kits




Kit 1 ECULog CAN RS 200

| Description | Part number | The kit contains | | | |
|-----------------------|------------------------|---|---|--|---|
| KIT ECULog CAN RS 200 | X08ECULOGCRS200 | ECULog  | Mini USB Drive 16 Gb  | CAN/RS232/Ext. Power 2 m cable  | USB 2.0 A-Type C-Type 2 m cable  |

Kit 2 ECULog OBD 200

| Description | Part number | The kit contains | | | |
|--------------------|------------------------|---|---|--|---|
| KIT ECULog OBD 200 | X08ECULOGOBD200 | ECULog  | Mini USB Drive 16 Gb  | CAN/OBDII/K Line/ Ext. Power 2 m cable  | USB 2.0 A-Type C-Type 2 m cable  |

Optionals/Spare Parts

| Description | Part number | |
|---|----------------------|--|
| CAN/OBDII/K Line/ Ext. Power 2 m cable | V02589040 |  |
| CAN/RS232/Ext. Power 2 m cable | V02589050 |  |
| USB 2.0 A-Type C-Type 2 m cable | X90TMPC101010 |  |
| Mini USB Drive 16 GB | 3IRUSBD16GB |  |