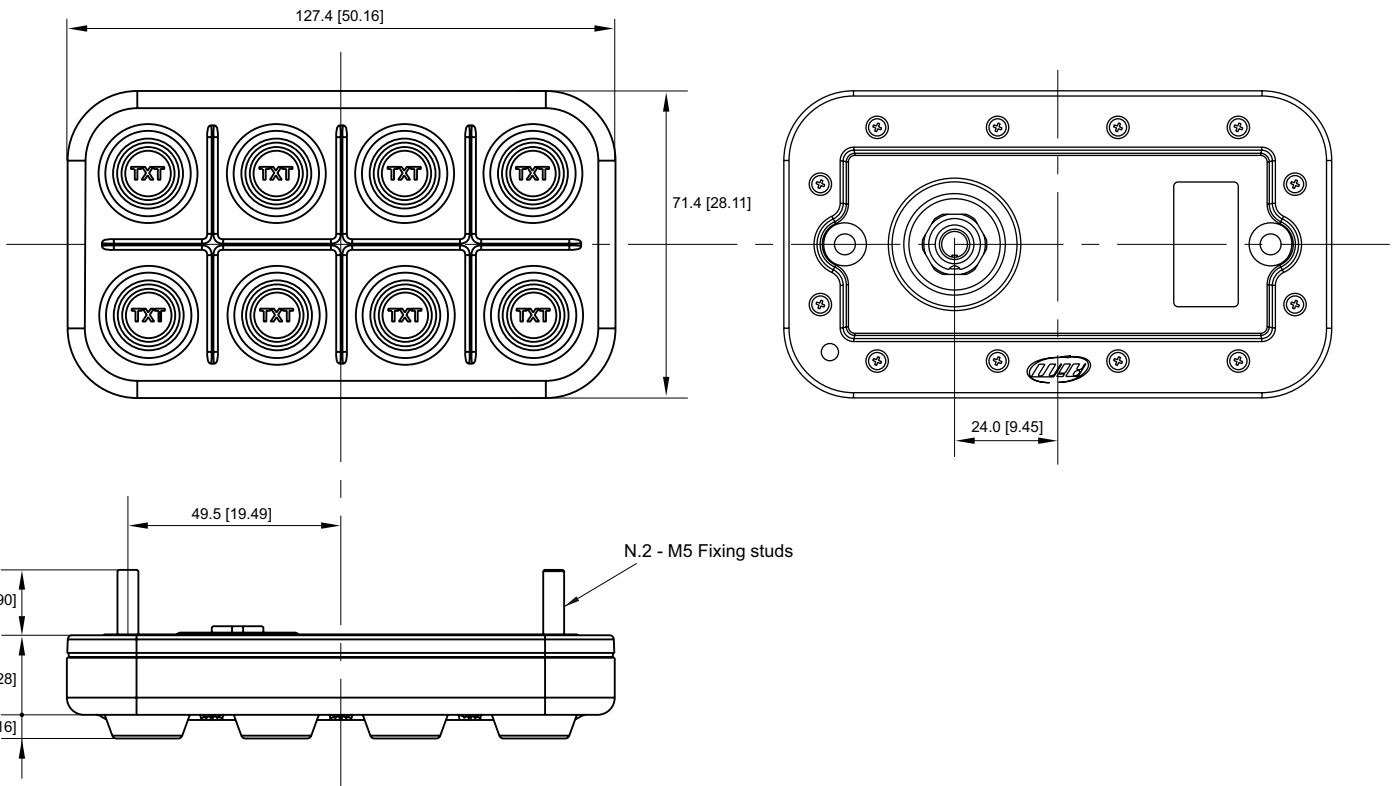




AiM K8 Keypad

CAN-BUS keypad



Dimensions in mm [inches]



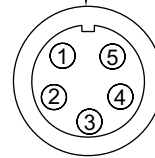
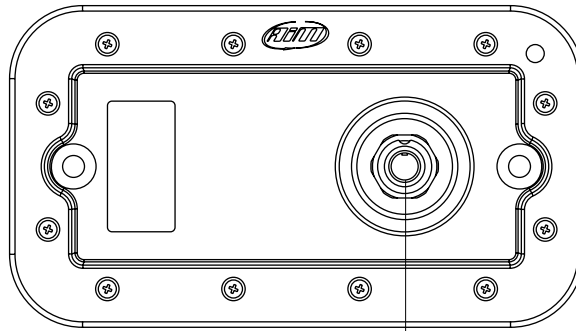
AiM K8 Keypad

CAN-BUS keypad

Technical specifications

Keys	8 programmable keys (momentary, toggle, multistatus)
Backlight buttons	RGB with dimming option
Connection	CAN AiM Binder 5 pins
Material	Rubber silicon and PA6 GS30%
Dimensions	127.4 x 71.4 x 24 mm
Weight	150 g
Waterproof	IP67

Pinout



5 pins Binder 712 female connector (external view)

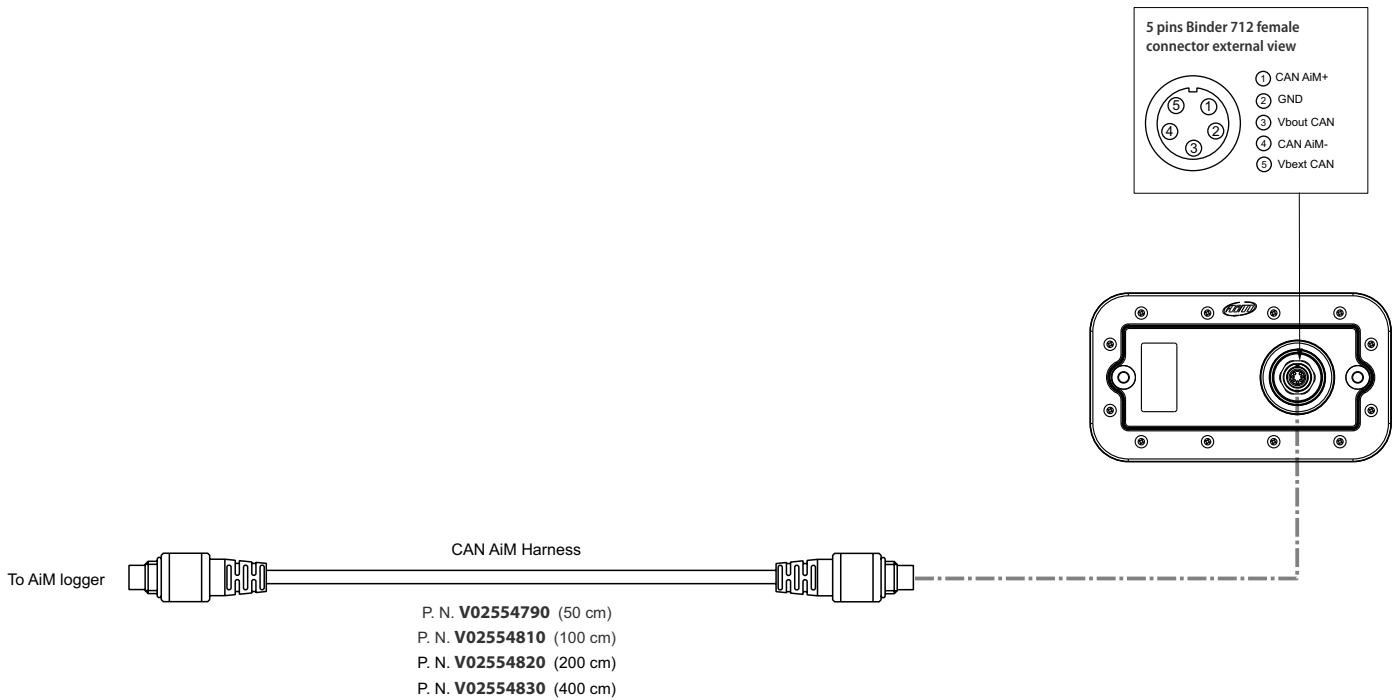
AiM CAN bus cable	
1	AiM CAN+
2	GND
3	+Vb
4	AiM CAN-
5	Vbext



AiM K8 Keypad

CAN-BUS keypad

Connections



Part numbers

X08KPK8	Keypad K8 without cables
X08KPK8AC050	Keypad K8 + CAN cable AiM - 5MM712 50 cm
X08KPK8AC100	Keypad K8 + CAN cable AiM - 5MM712 100 cm
X08KPK8AC200	Keypad K8 + CAN cable AiM - 5MM712 200 cm
X08KPK8AC400	Keypad K8 + CAN cable AiM - 5MM712 400 cm
X08KPK8KICONS	Icons kit (72 pieces)
PART NUMBERS HERE	Single icons (chosen by the user)
V02554790	CAN AiM Harness 50 cm
V02554810	CAN AiM Harness 100 cm
V02554820	CAN AiM Harness 200 cm
V02554830	CAN AiM Harness 400 cm