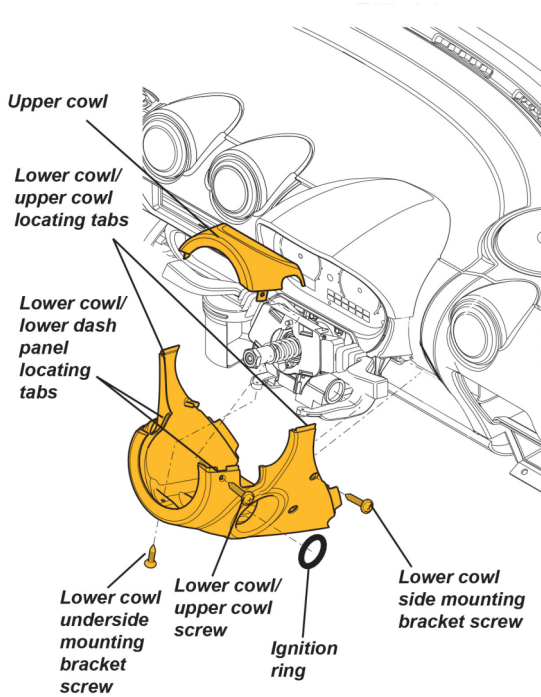


AiM Lotus cluster

Installation guide

Remove the indicated original parts.

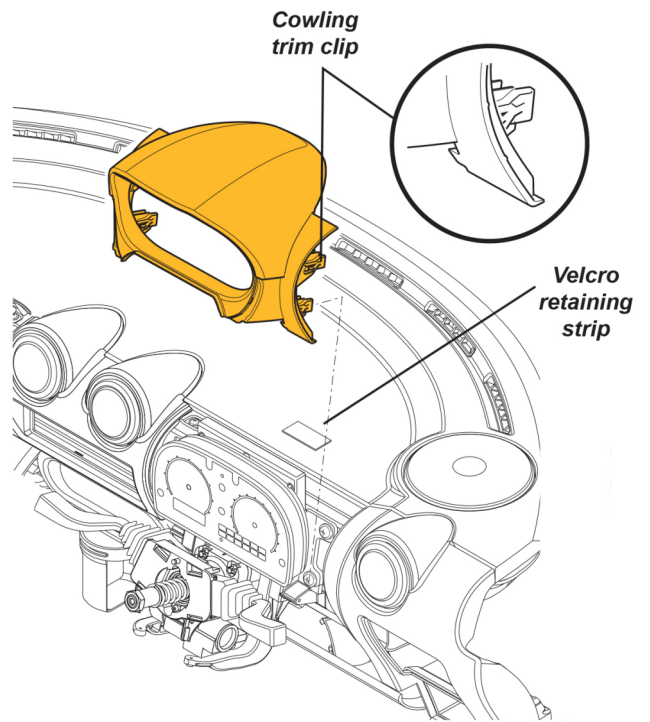
Figure 1/7



Note: it is not necessary to remove the steering wheel.

Figure 2/7

Remove the original cluster.



Remove the original dashboard.

Figure 3/7

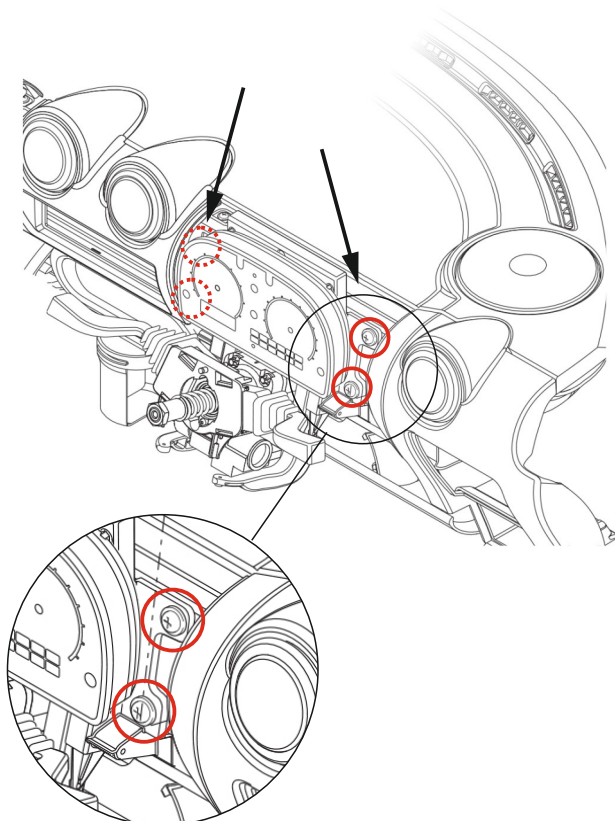
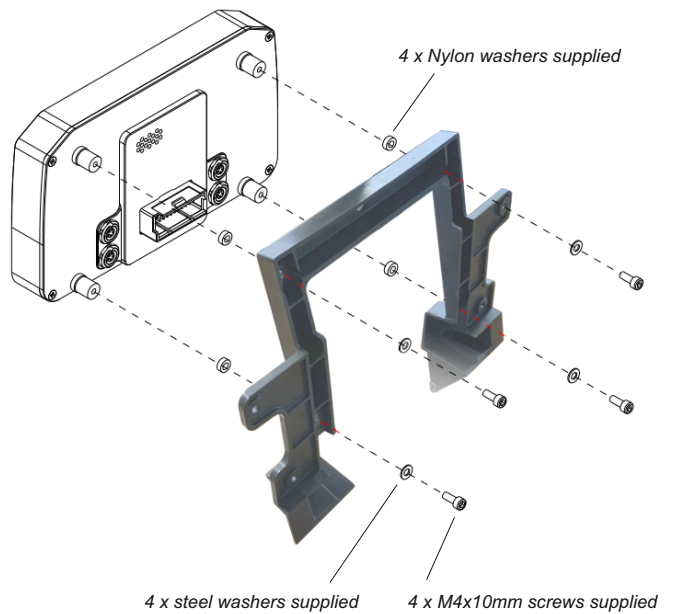


Figure 4/7

Install the MX2E on the original bracket.

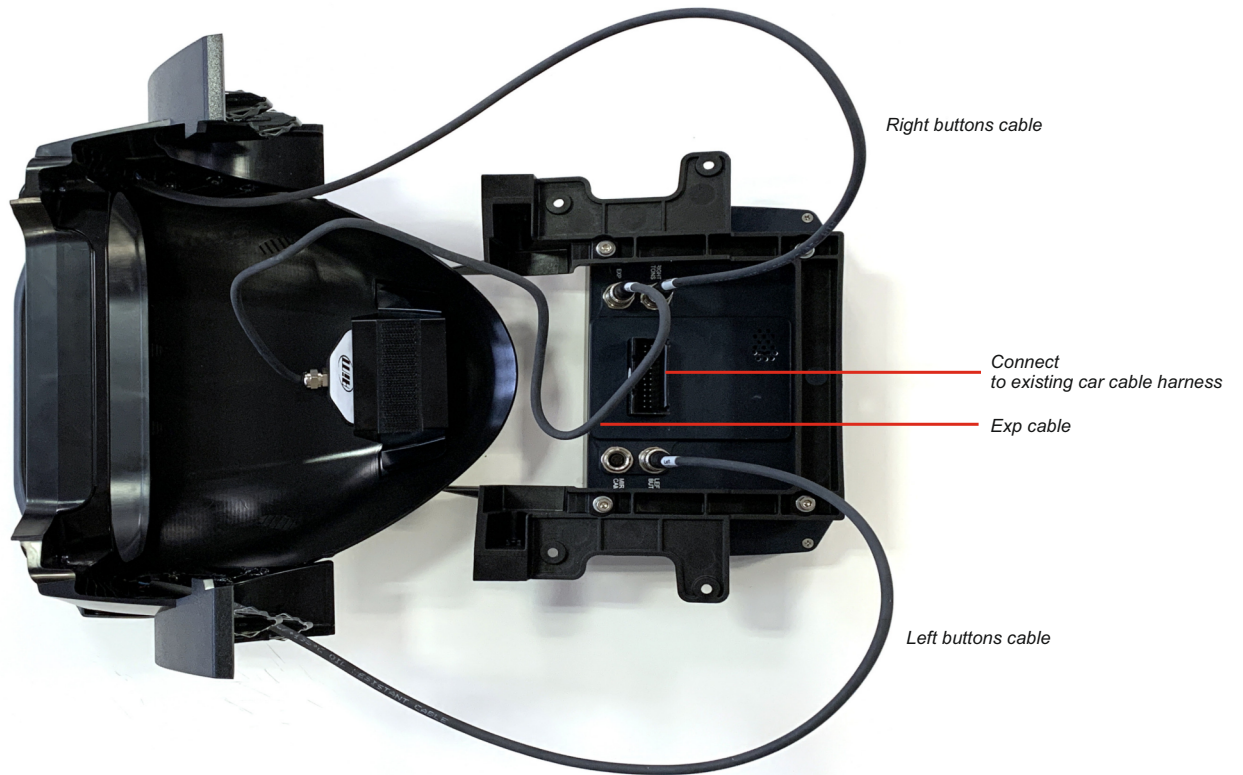


AiM Lotus cluster

Installation guide

Connect MX2E with AiM cluster.

Figure 5/7



Install MX2E and AiM cluster.

Figure 6/7

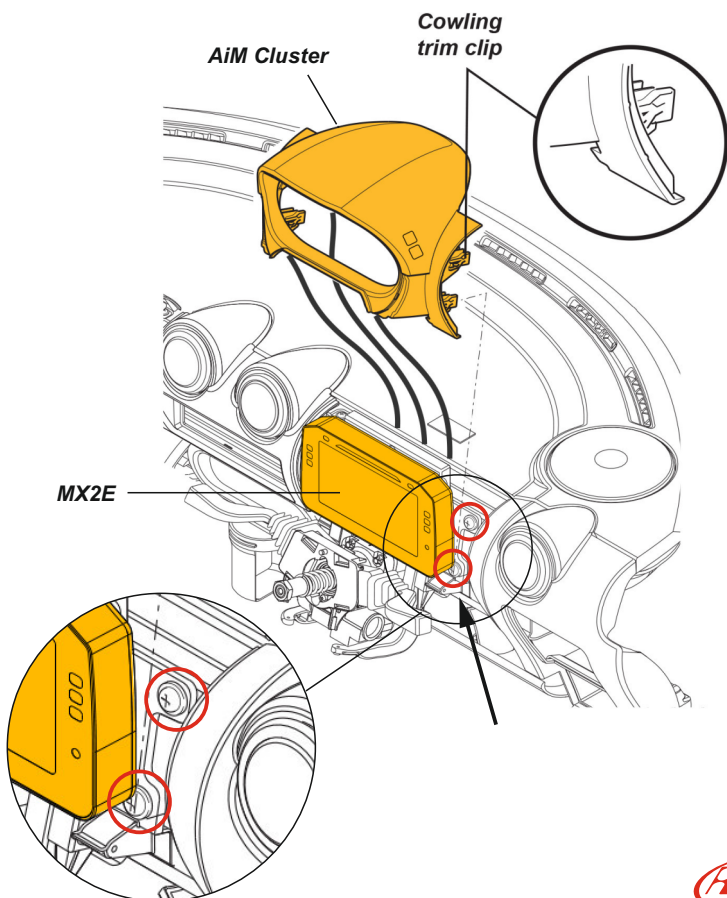
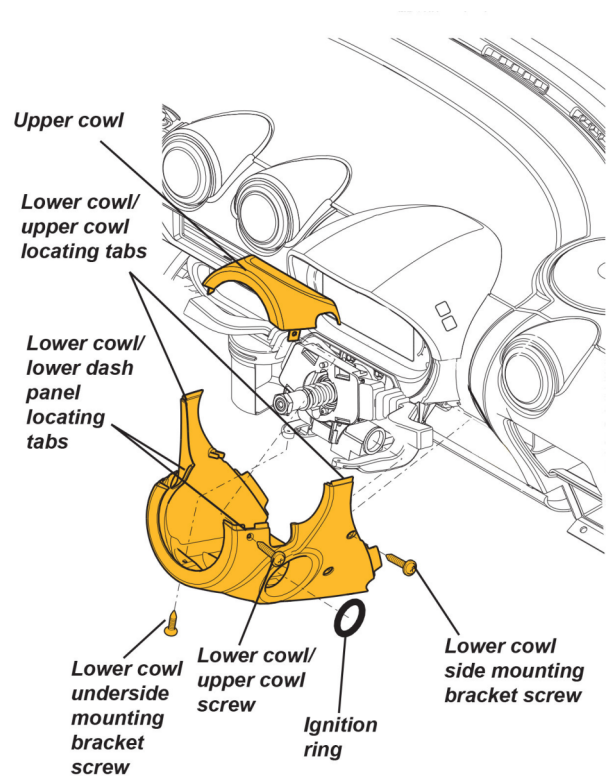


Figure 7/7

Re-install the original parts.



2/2

