

Kit AiM Solo/SoloDL for Suzuki GSX-R

Installation guide

Fig. 1left

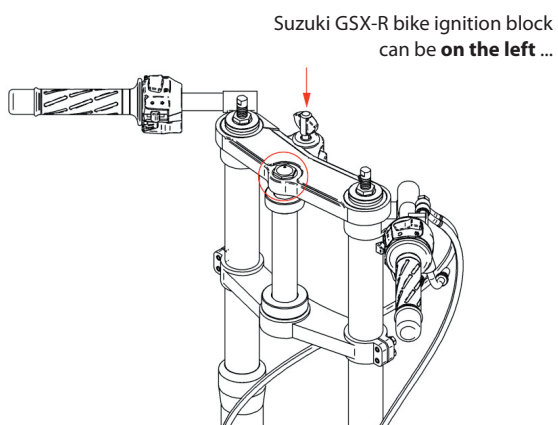


Fig. 1right

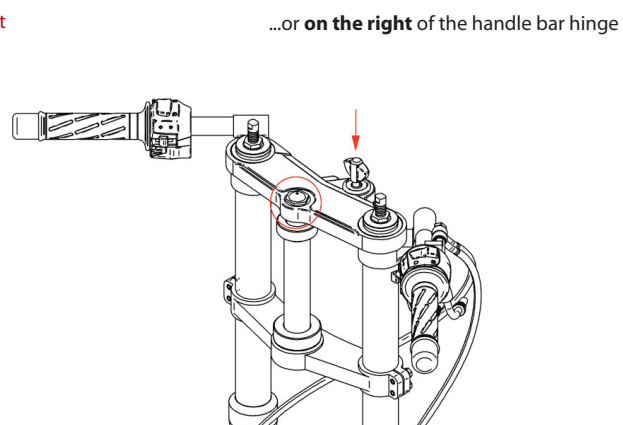


Fig. 2left

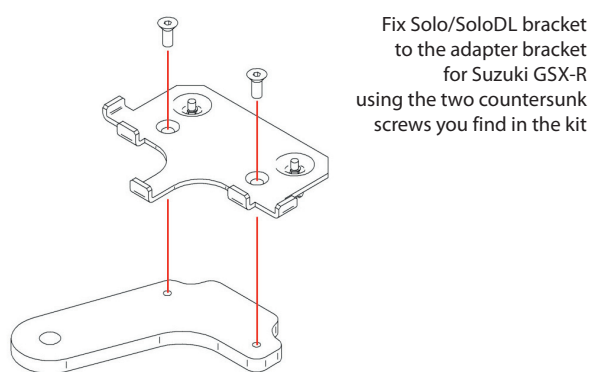


Fig. 2right

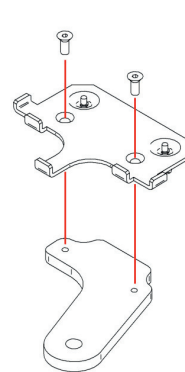


Fig. 3left

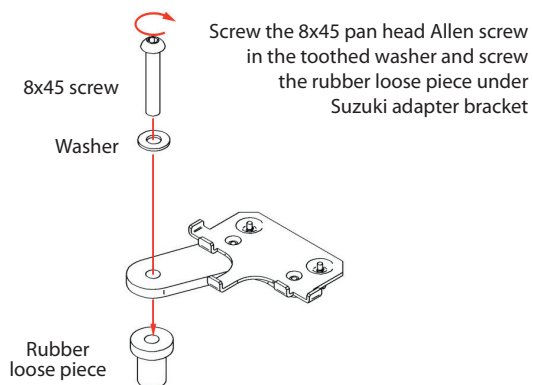


Fig. 3right

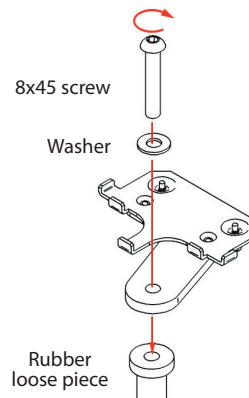


Fig. 4left

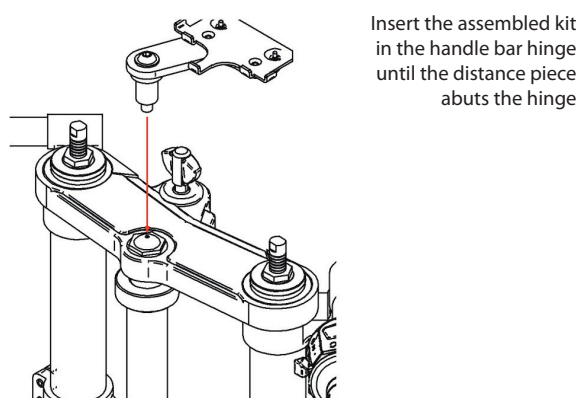
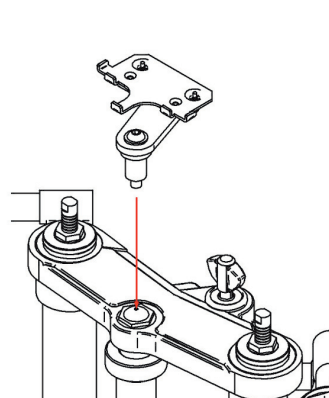


Fig. 4right



Kit AiM Solo/SoloDL for Suzuki GSX-R

Installation guide

Fig. 5left

Tighten the central screw on the hinge so that this last grips

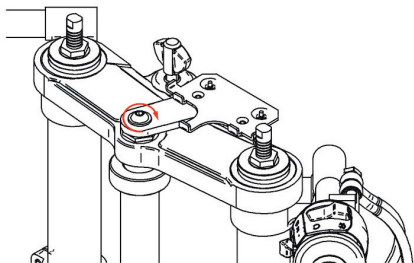


Fig. 5right

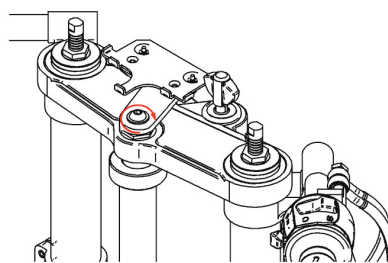


Fig. 6left

Hook Solo/SoloDL to its bracket

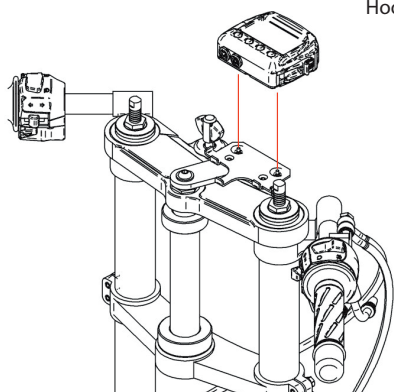


Fig. 6right

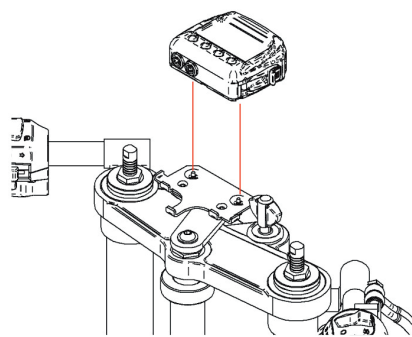


Fig. 7left

Fix it using the screws already inserted rear on Solo/SoloDL bracket

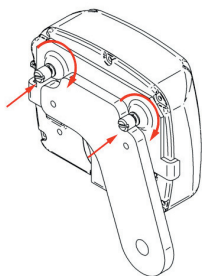


Fig. 7right

