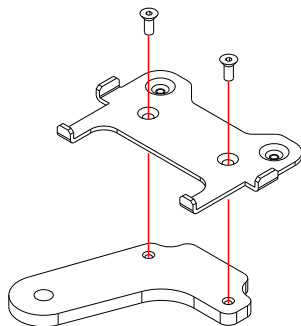


Kit AiM Solo 2/Solo 2 DL for Aprilia RSV4

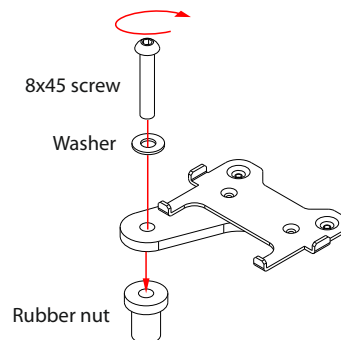
Installation guide

Fig. 1



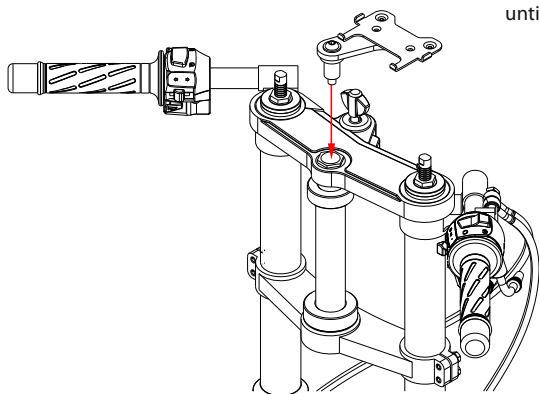
Fix Solo 2/Solo 2 DL bracket to the adapter bracket for Aprilia RSV4 using the two countersunk screws you find in the kit

Fig. 2



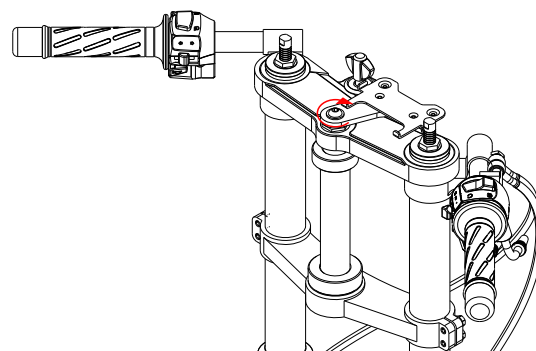
Screw the 8x45 pan head Allen screw in the toothed washer and screw the rubber nut under Aprilia adapter bracket

Fig. 3



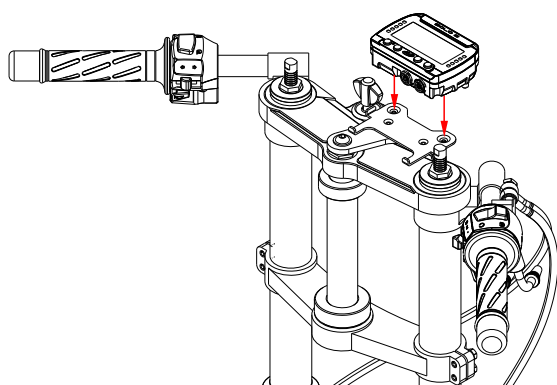
Insert the assembled kit in the handle bar hinge until the distance piece abuts the hinge

Fig. 4



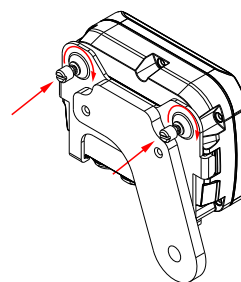
Tighten the central screw on the hinge so that this last grips

Fig. 5



Hook Solo 2/Solo 2 DL to its bracket

Fig. 6



Fix it using the screws already inserted rear on Solo 2/Solo 2 DL bracket

